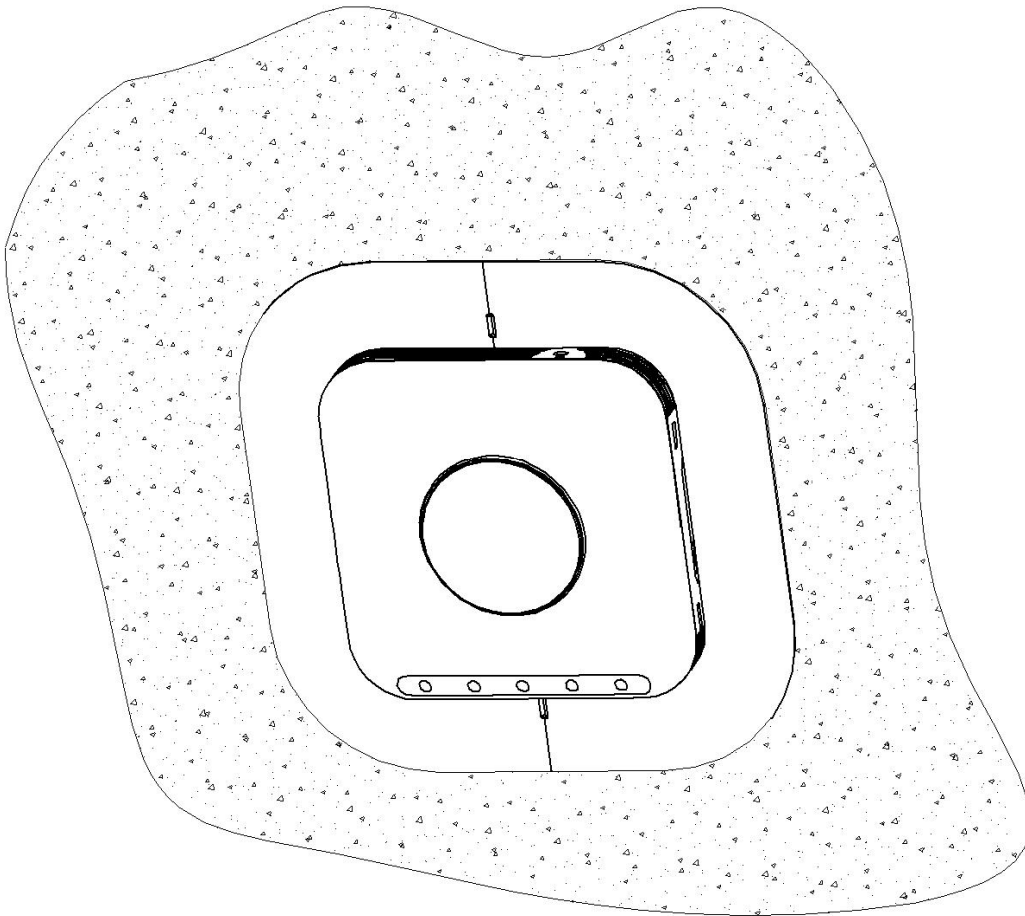
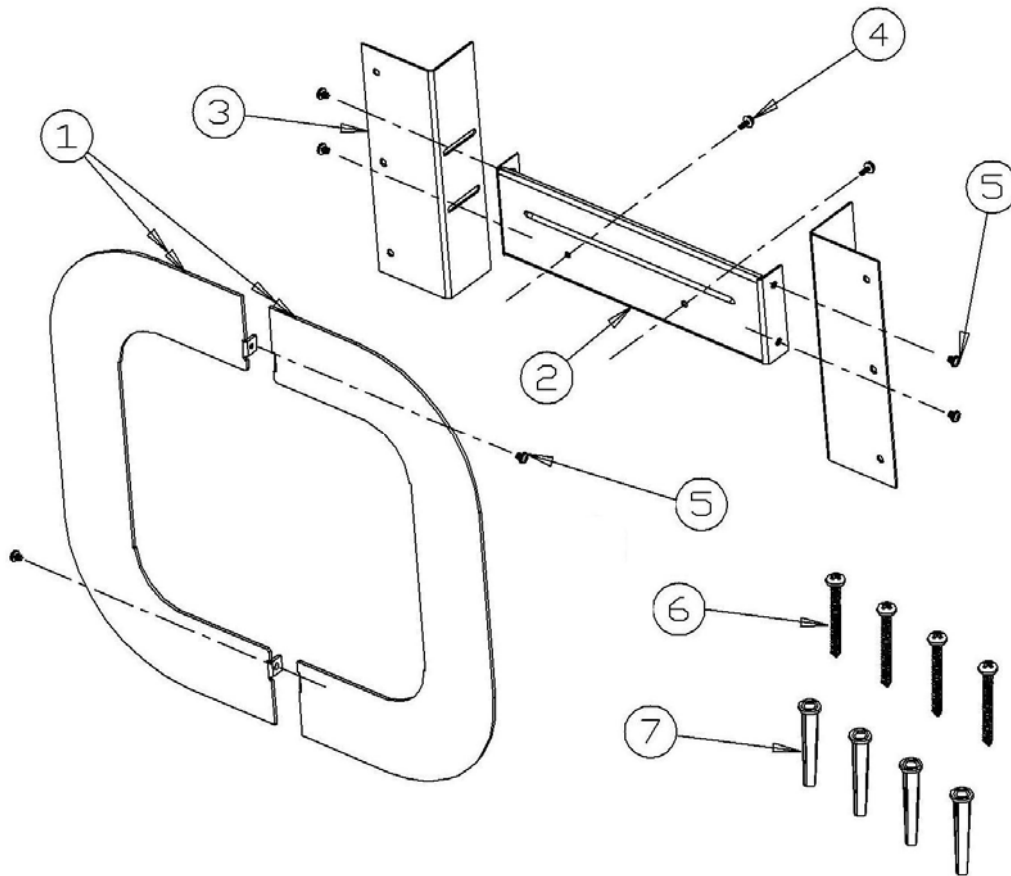




BSAP Ceiling Mount Kit Installation Guide



Mounting Kit Contents



Item	Description	Qty
1	Trim Plate for ceiling tile	2
2	Rear mounting bracket	1
3	Side mounting bracket	2
4	M2.5x7mm screw w/ ext spring washer	2
5	M3x6mm screw w/ ext spring washer	6

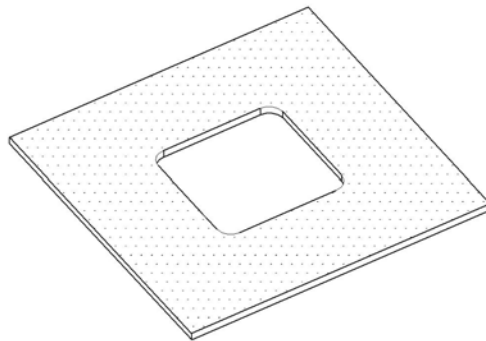
Used only when mounting directly to a hard ceiling

6	M3.6x32mm screw	4
7	Plastic anchor	4

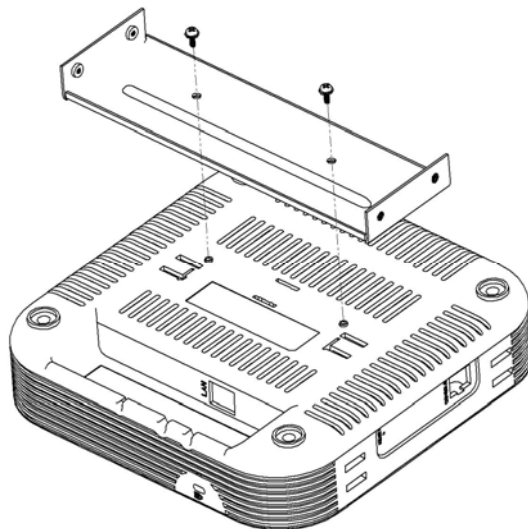
Dropped Ceiling Installation

Tools Required:

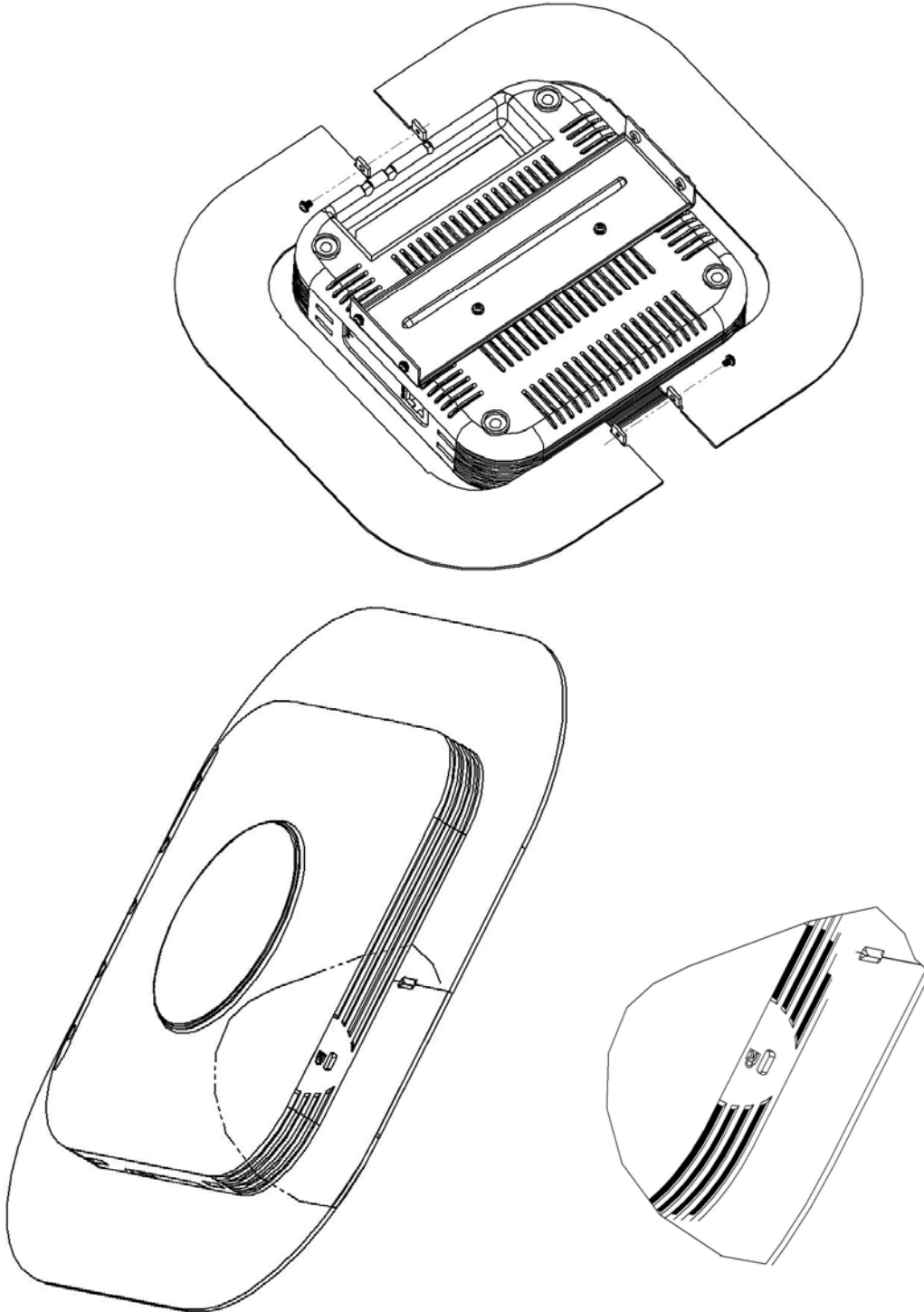
- Utility knife
 - 6 inch Phillips head screw driver
 - 12 inch metal ruler
 - Pencil
1. Remove tile from suspended ceiling. Flip tile so you are looking at the back (unfinished) side. Draw a 9in x 9in square at the desired location. Using the utility knife and the metal ruler, carefully cut out the square. Smooth out any rough edges on the front (finished) side of the tile. The cut tile should look like the picture below.



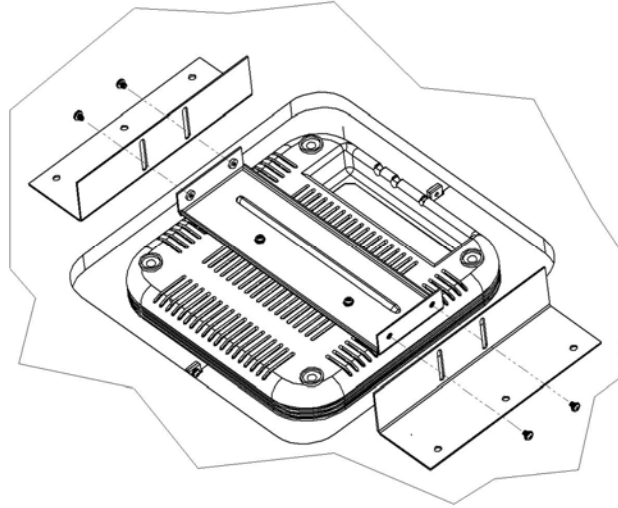
2. Fasten the rear mounting bracket to the bottom of the BSAP-18XX using 2 M2.5x7mm screws as shown below.



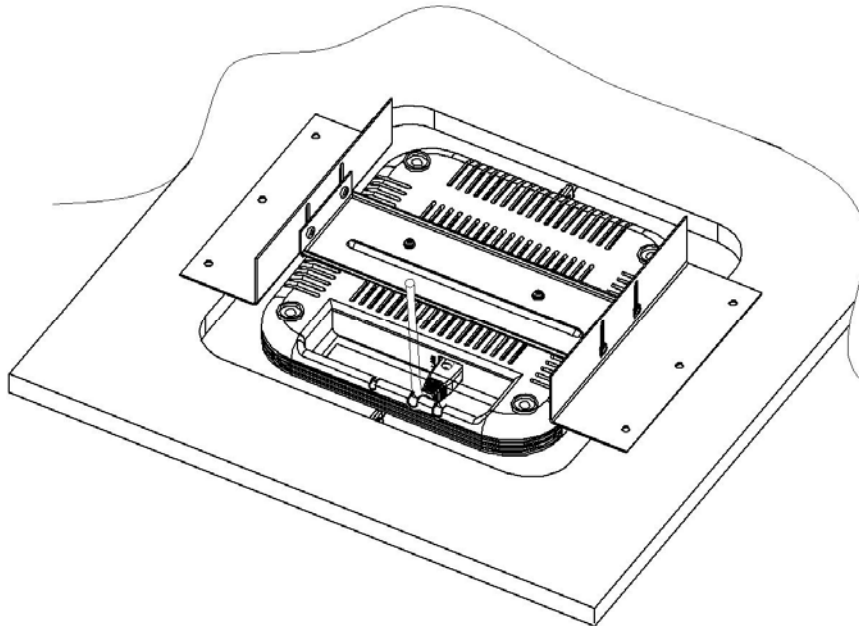
3. Slide the trim plates into the side groove just above the Kensington lock of the BSAP-18XX as shown below. Slide both plates fully in until they meet. Fasten the trim plates together using 2 M3x6mm screws.



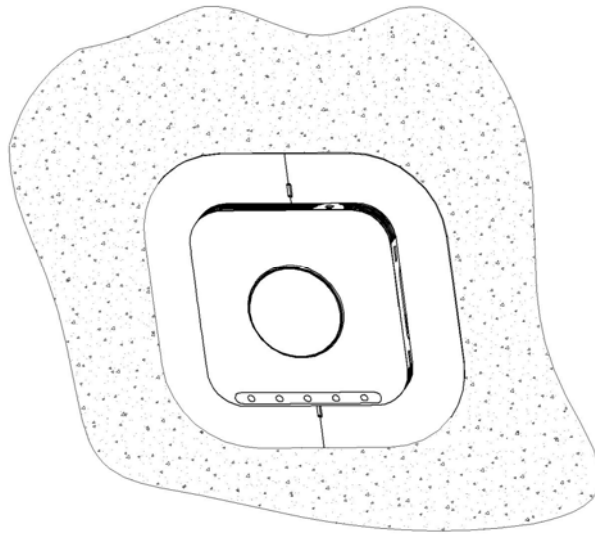
4. Lay the BSAP-18XX face down and place the cut ceiling tile over the unit as shown below. Loosely attach the side mounting brackets using 4 M3x6mm screws. Gently push down on each side mounting bracket to sandwich the ceiling tile between the bracket and trim plate. Tighten the screws.



5. Fit assembly into the suspended ceiling. Attach LAN cable to the rear of the BSAP-18XX before tile is fully seated.



6. The installed BSAP-18XX should look like the picture below.

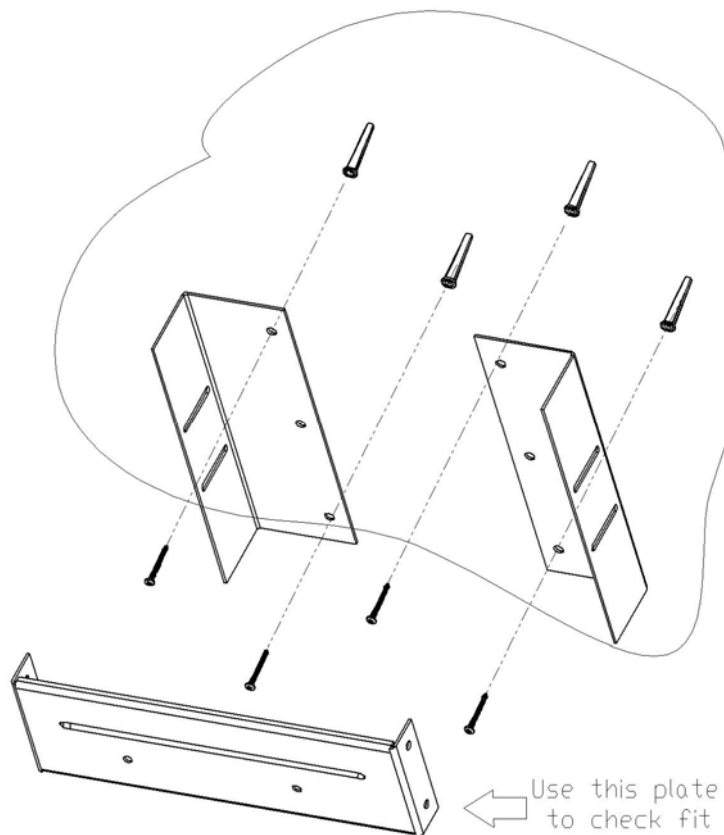


Hard Ceiling/Wall Installation

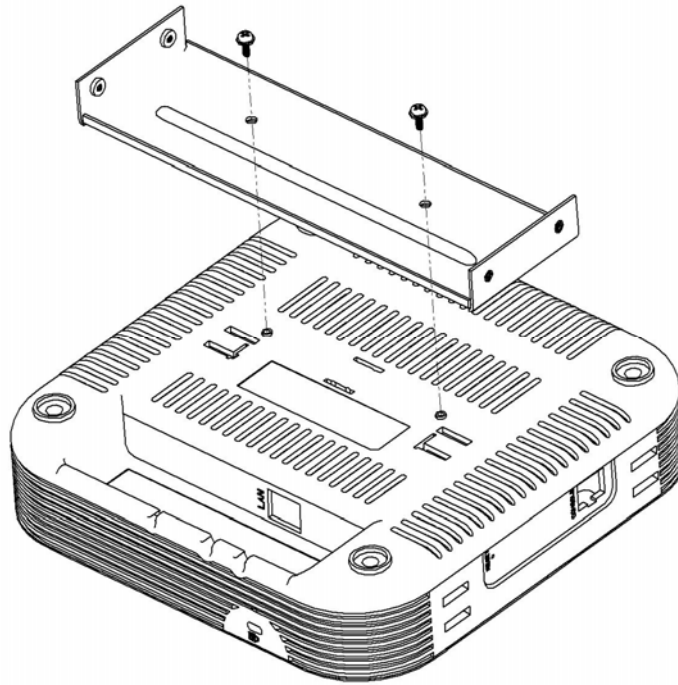
Tools Required:

- Phillips head screw driver
- Drill with 3/16 inch bit
- Hammer
- Measuring tape
- Pencil

1. Orient the side mounting brackets as shown below. Attach the rear mounting bracket to the side brackets using 4 M3x6mm screws. Use this assembly to mark hole locations. Remove rear bracket and mount side brackets to ceiling using M3.6x32mm screws and plastic anchors (if mounting to drywall).



2. Fasten the rear mounting bracket to the bottom of the BSAP-18XX using 2 M2.5x7mm screws as shown below.



3. Attached the BSAP-18XX (with rear bracket installed) to the side brackets (mounted to the ceiling/wall in Step 1) using 4 M3x6mm screws as shown below.

