

WARRANTY, COPYRIGHT, AND SAFETY NOTICES

Limited Warranty

ADTRAN, Inc. warrants this product shall be free from material defects in materials and workmanship and will conform to specifications and drawings during a one (1) year period from the date of original purchase but in no event longer than 455 days from the date of product sale by ADTRAN, Inc. to ADTRAN Authorized Reseller.

If there is a defect, ADTRAN, Inc., shall, at its sole option, and as the exclusive remedy, either repair or replace the telephone set at no charge, if returned within the warranty period. If replacement parts are used in making repairs, these parts may be refurbished, or may contain refurbished materials. If it is necessary to replace the telephone set, it may be replaced with a refurbished telephone of the same design and color. If it should become necessary to repair or replace a defective telephone set under this warranty, the provisions of this warranty shall apply to the repaired or replaced telephone set until the expiration of ninety (90) days from the date of pick up, or the date of shipment to you, of the repaired or replacement set, or until the end of the original warranty period, whichever is later. Proof of the original purchase date is required for all telephone sets returned for warranty repairs. Use of this product constitutes acceptance of the warranty provisions.

THIS WARRANTY SETS FORTH THE ENTIRE LIABILITY AND OBLIGATIONS OF ADTRAN, INC., WITH RESPECT TO THE BREACH OF WARRANTY, AND THE WARRANTIES SET FORTH HEREIN ARE THE SOLE WARRANTIES AND ARE IN LIEU OF ALL OTHER WARRANTIES, EXPRESSED, OR IMPLIED, INCLUDING WARRANTIES OF FITNESS FOR PARTICULAR PURPOSE AND MERCHANTABILITY.

Exclusions

ADTRAN, Inc. does not warrant its telephone sets to be compatible with the equipment of any particular telephone company or PBX manufacturer. This warranty does not extend to damage to products resulting from improper installation or operation, alteration, accident, neglect, abuse, misuse, fire, or natural causes such as storms or floods, after the telephone is in your possession.

Warranty Repair Services

Your ADTRAN Authorized Reseller is responsible for handling Warranty and Repair issues. In the event that you believe a repair is needed or additional warranty and repair information is required, please contact your ADTRAN Authorized Reseller.

Repairs to this product may be made only by the manufacturer and its authorized agents, or by others who are legally authorized. This restriction applies during and after the warranty period. Unauthorized repair will void the warranty.

Service Agreements

Please contact your ADTRAN Authorized Reseller for information about service agreements applicable to your product.

LIMITATION OF LIABILITY

TO THE FULLEST EXTENT ALLOWED BY LAW, ADTRAN EXCLUDES FOR ITSELF AND ITS SUPPLIERS ANY LIABILITY, WHETHER BASED IN CONTRACT OR TORT (INCLUDING NEGLIGENCE), FOR INCIDENTAL, CONSEQUENTIAL, INDIRECT, SPECIAL, OR PUNITIVE DAMAGES OF ANY KIND, OR FOR LOSS OF REVENUE OR PROFITS, LOSS OF BUSINESS, LOSS OF INFORMATION OR DATA, OR OTHER FINANCIAL LOSS ARISING OUT OF OR IN CONNECTION WITH THE SALE, INSTALLATION, MAINTENANCE, USE, PERFORMANCE, FAILURE, OR INTERRUPTION OF ITS PRODUCTS, EVEN IF ADTRAN OR ITS AUTHORIZED DEALER HAS BEEN ADVISED OF THE POSSIBILITY OF SUCH DAMAGES, AND LIMITS ITS LIABILITY TO REPAIR, REPLACEMENT, OR REFUND OF THE PURCHASE PRICE PAID, AT ADTRAN'S OPTION. THIS DISCLAIMER OF LIABILITY FOR DAMAGES SHALL REMAIN EFFECTIVE EVEN IF ANY REMEDY PROVIDED HEREIN SHALL LATER BE HELD BY A COURT TO HAVE FAILED OF ITS ESSENTIAL PURPOSE.

Disclaimer

Some countries, states, or provinces do not allow the exclusion or limitation of implied warranties or the limitation of incidental or consequential damages for certain products supplied to consumers, or the limitation of liability for personal injury, so the above limitations and exclusions may be limited in their application to you. When the implied warranties are not allowed to be excluded in their entirety, they will be limited to the duration of the applicable written warranty. This warranty gives you specific legal rights which may vary depending on local law.

Governing Law

This Limited Warranty and Limitation of Liability shall be governed by the laws of the State of Alabama, U.S.A., excluding its conflicts of laws principles. The United Nations Convention on Contracts for the International Sale of Goods is hereby excluded in its entirety from application to this Limited Warranty and Limitation of Liability. All rights reserved under International and Pan-American Copyright Conventions. No part of the contents of this manual may be copied, reproduced, or transmitted in any form or by any means, or translated into another language or format, in whole or part, without written consent from ADTRAN, Inc., Do not remove (or allow anybody else to remove) any product identification, copyright or other notices. ADTRAN and the ADTRAN logo are registered trademarks of ADTRAN, Inc., All other trademarks and registered trademarks mentioned in this publication are the property of their respective owners.

Contact Information: Please contact your ADTRAN Authorized Reseller for assistance.

For more detailed documentation, visit us online at www.adtran.com.

For more detailed documentation, visit us online at www.adtran.com.

For more detailed documentation, visit us online at www.adtran.com.

ADTRAN
Quick Start Guide

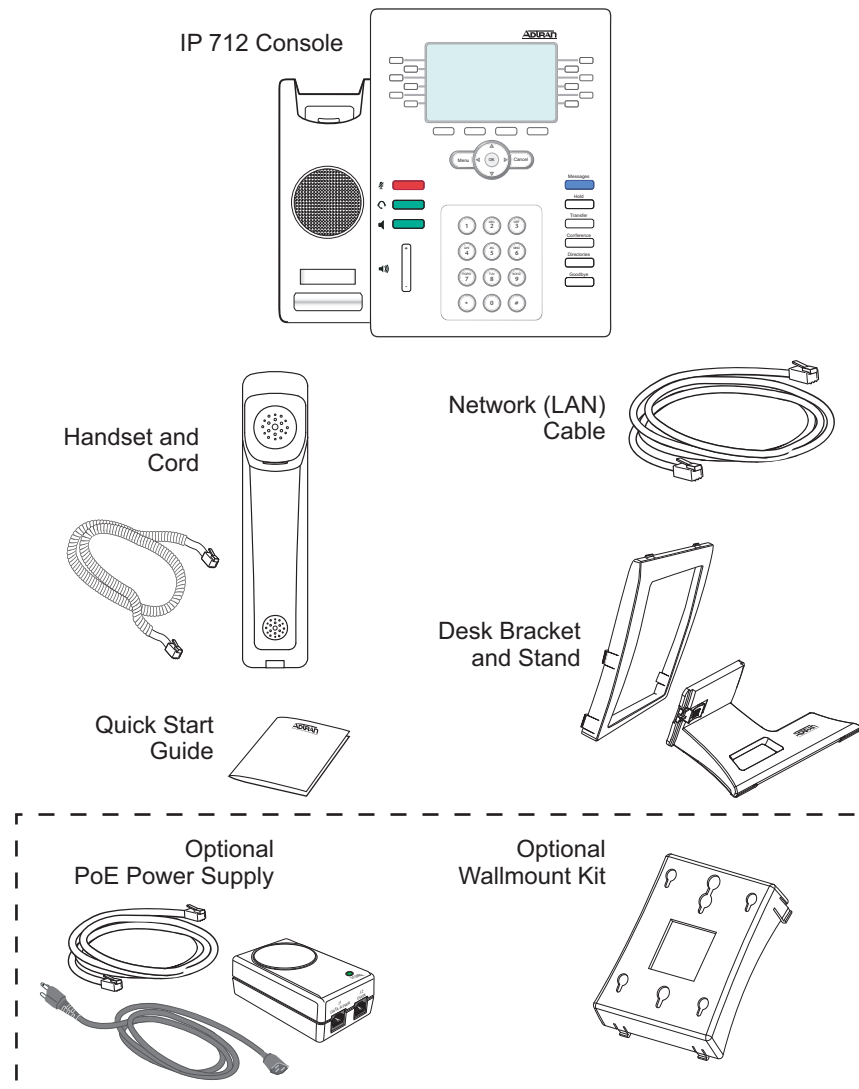
IP 712 Phone

P/N 1200770E1

Congratulations on choosing the IP 712 telephone from ADTRAN. The IP 712 is a full-duplex, handsfree IP telephone that offers business-class features, such as multiple call appearance, hold, transfer, and conferencing.

UNPACKING THE IP 712

The following items are included in your IP 712 packaging. Be sure you have received each item in the list before installing your phone. If you are missing any items, contact your ADTRAN IP 712 reseller.



IP 712 INSTALLATION

1. Mounting the Desk Stand

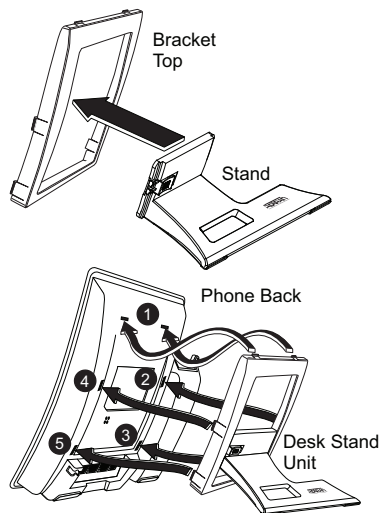
Insert the stand through the bracket (rotating it so it fits through the opening).

Once through the bracket opening, rotate the stand back and pull it toward the bracket until seated.

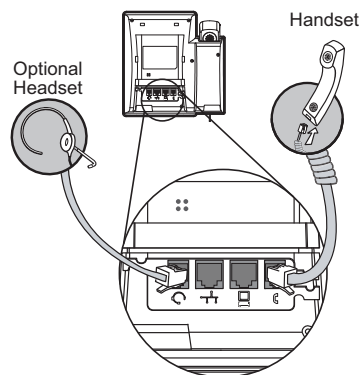
Make sure the stand is properly oriented within the bracket as shown in the figure.

With the desk stand assembled, insert the top two tabs into the corresponding slots on the phone back.

Insert the remaining tabs in the order shown in the figure. Tabs 4 and 5 must be pressed inward to snap into the slots.

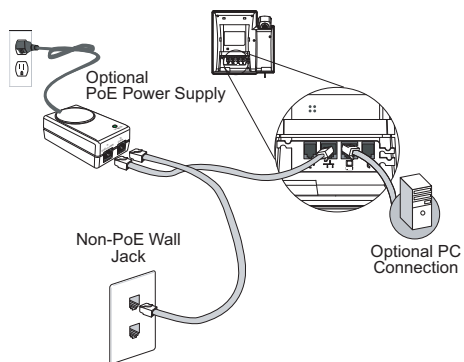


2. Connecting Headset and Handset

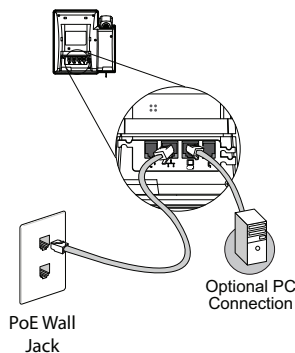


3. Connecting Network and Power

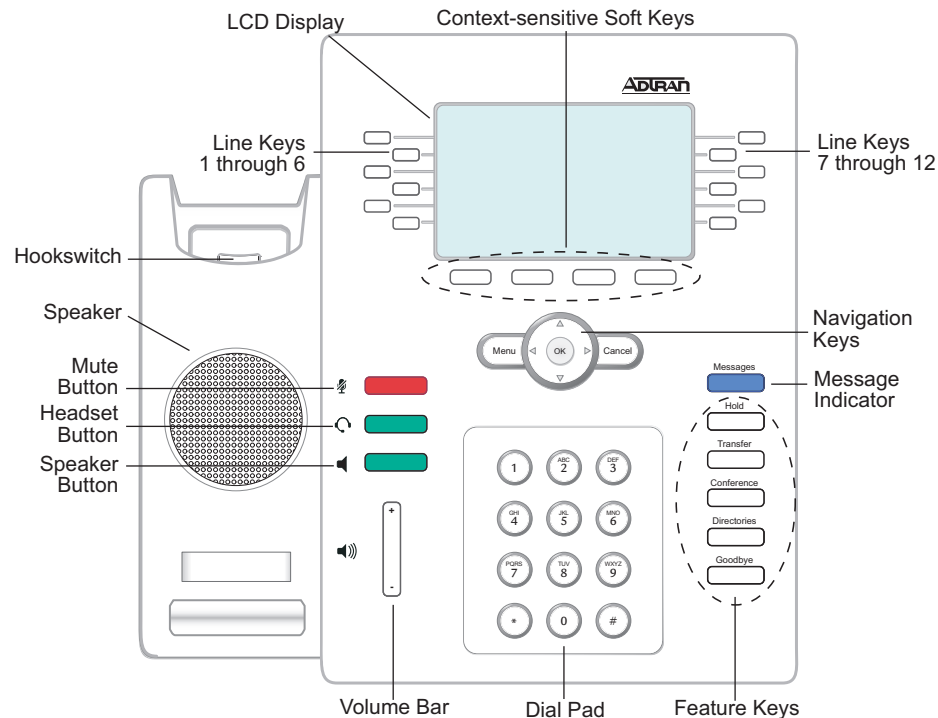
Local Power Option



Inline Power Option



IP 712 FEATURES



IP 712 STARTUP

Once power is supplied, the IP 712 starts an automated process of establishing itself on the network and downloading software and configurations.

Check with your system administrator if a specific configuration is required, or if any errors appear during the startup process.

For further instructions on how to use the IP 712, consult the *IP Phone User Manual* available from www.adtran.com.

Equipment Installation

WARNING

Only trained and qualified personnel should be allowed to install, replace, or service this equipment. The equipment must be placed indoors and connected to indoor networks only. Failure to follow the installation guide instructions may void warranty.