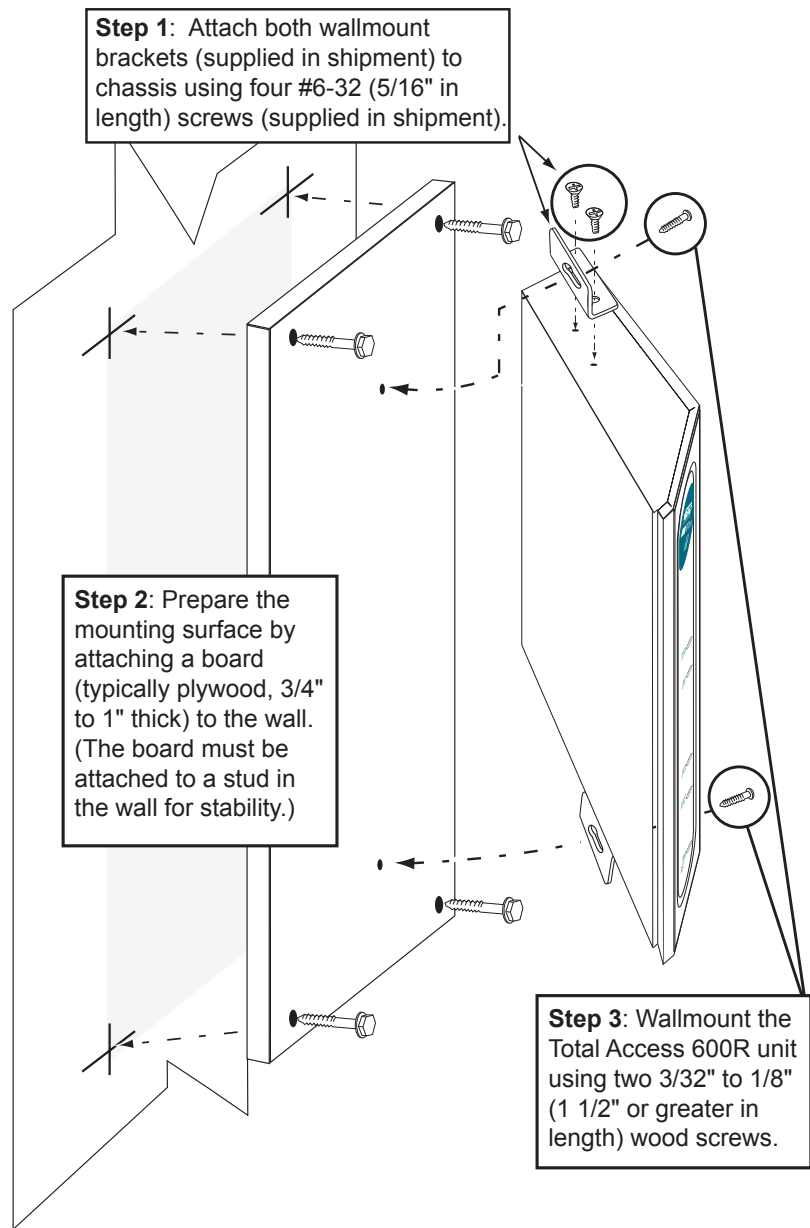


TOTAL ACCESS 600R MOUNTING CONFIGURATIONS

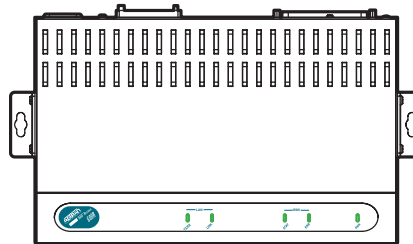
Step 1: Attach both wallmount brackets (supplied in shipment) to chassis using four #6-32 (5/16" in length) screws (supplied in shipment).

Step 2: Prepare the mounting surface by attaching a board (typically plywood, 3/4" to 1" thick) to the wall. (The board must be attached to a stud in the wall for stability.)

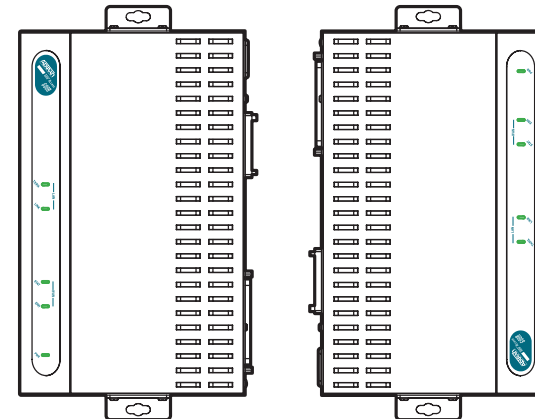
Step 3: Wallmount the Total Access 600R unit using two 3/32" to 1/8" (1 1/2" or greater in length) wood screws.



Acceptable Orientation — Wallmount



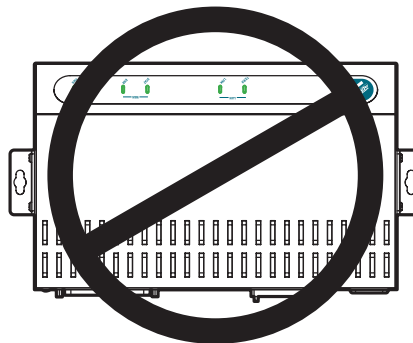
LEDs Pointing Down



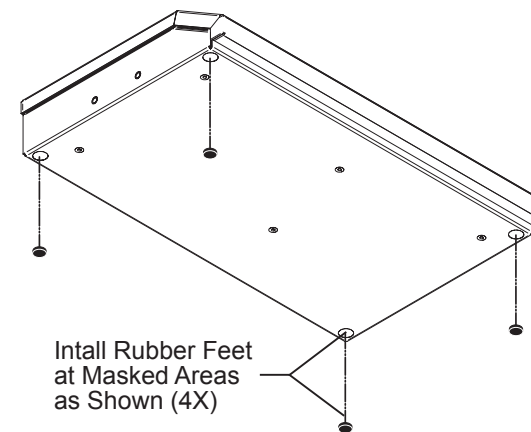
LEDs Pointing Sideways

Unacceptable Orientation

Wallmount



Tabletop Assembly



Intall Rubber Feet at Masked Areas as Shown (4X)

Do Not Mount with LEDs Pointing Up!