



## **TECHNICAL SUPPORT NOTE**

### **Total Access 750/850 Dual Mount 19"/23" Configuration**

---

#### **Introduction**

This Technical Support Note describes the conversion of two single mount ADTRAN Total Access 750 chassis, or two Total Access 850 chassis, or one Total Access 750 and one Total Access 850 chassis, into a dual mount unit. The dual mount chassis can be mounted in a standard 19" or 23" rack.

**Note:** Wall mount of the dual configuration is not recommended.

#### **Before You Begin**

- This procedure requires removal of an in-service unit from service for the duration of the conversion procedure.
- A #1 Phillips screwdriver and a #1 Phillips offset screwdriver are required for this assembly.

#### **Preparing the Units**

If either unit is connected:

1. Perform required procedures for customer support or temporary service for affected customer circuits.
2. Remove power to the chassis.
3. Disconnect all wiring from the units.

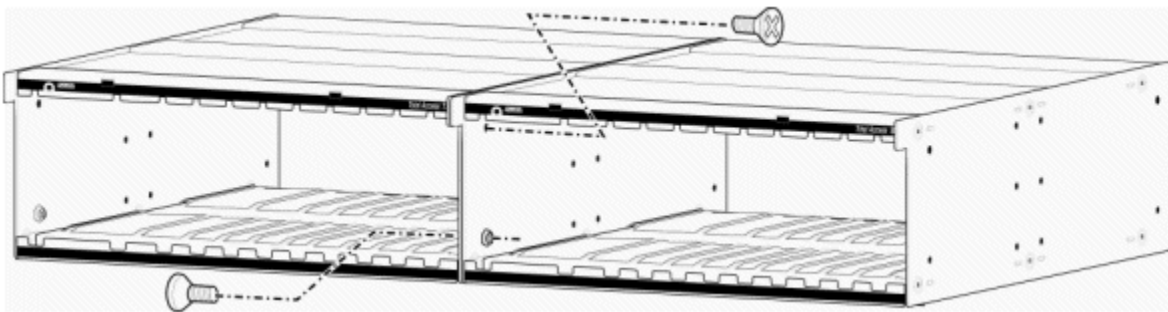
On unconnected units:

1. Remove all circuit cards from both chassis.
2. Remove the retainer screw from the rear access panel cover.
3. Slide the access panel down about 1/8" to release the locking tabs, and remove the access cover.
4. Remove the four corner screws from the rear backplane cover.
5. TA 750 only - Remove the screw (and the standoff if it comes loose) located just to the right of the 50-pin connector.
6. Remove the backplane covers.

7. Remove the screws and mounting brackets from the side of each chassis where they will be joined.

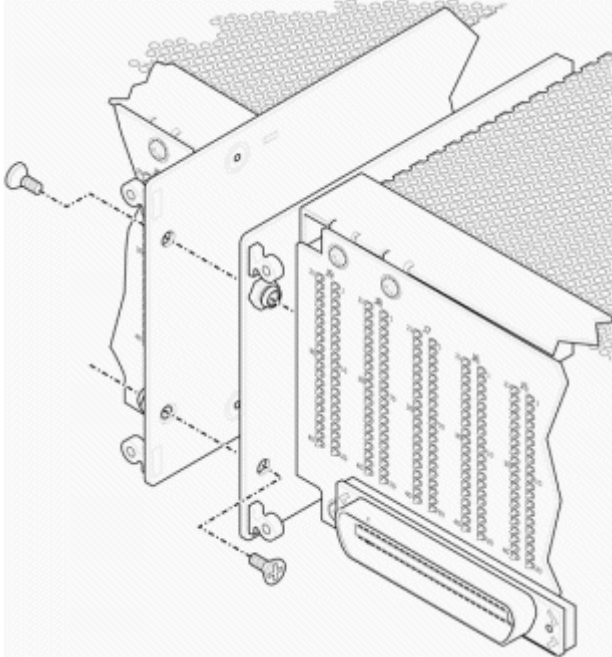
## Joining The Units

1. Place both units side-by-side on a flat level surface, with the front of the chassis facing forward.
2. There are four chassis coupling screw holes in each unit. Opposing holes are fitted with threaded studs for joining the two chassis. The two chassis will be joined with four #4 x ¼" pan head Phillips screws.
3. From the right chassis, top hole, insert a screw into the threaded stud of the left chassis. Secure but do not tighten.



**Figure 1**

4. From the left chassis, bottom hole, insert a screw into the right chassis threaded stud. Secure but do not tighten.
5. Do not lift the chassis. Rotate the two chassis (together) so that the rear of the units are facing forward.
6. Join the two chassis at the rear of the panels with #4 x ¼" screws as shown in Figure 2, but do not tighten.



**Figure 2**

7. Ensure that the two chassis are properly aligned.
8. With the offset screwdriver, carefully tighten the four screws.
9. Reattach the backplane covers and access panel.
10. Align the remaining mounting brackets for 19" or 23" racks, as appropriate.

The chassis are now attached. Follow ADTRAN Practices, Job Aids, and other appropriate procedures to mount and connect the units.

If you experience any problems using your ADTRAN product, please contact [ADTRAN Technical Support](#).

#### DISCLAIMER

ADTRAN provides the foregoing application description solely for the reader's consideration and study, and without any representation or suggestion that the foregoing application is or may be free from claims of third parties for infringement of intellectual property rights, including but not limited to, direct and contributory infringement as well as for active inducement to infringe. In addition, the reader's attention is drawn to the following disclaimer with regard to the reader's use of the foregoing material in products and/or

systems. That is:

ADTRAN SPECIFICALLY DISCLAIMS ALL WARRANTIES, EXPRESSED OR IMPLIED, INCLUDING BUT NOT LIMITED TO, MERCHANTABILITY AND FITNESS FOR A PARTICULAR PURPOSE. IN NO EVENT SHALL ADTRAN BE LIABLE FOR ANY LOSS OR DAMAGE, AND FOR PERSONAL INJURY, INCLUDING BUT NOT LIMITED TO, COMPENSATORY, SPECIAL, INCIDENTAL, CONSEQUENTIAL, OR OTHER DAMAGES.