



**TSU LT
USER MANUAL**

Part Number 1203060L1

Trademarks

Any brand names and product names included in this manual are trademarks, registered trademarks, or trade names of their respective holders.

T-Watch PRO[®] is a registered trademark of ADTRAN, Inc.

To the Holder of the Manual

The contents of this manual are current as of the date of publication. ADTRAN reserves the right to change the contents without prior notice.

In no event will ADTRAN be liable for any special, incidental, or consequential damages or for commercial losses even if ADTRAN has been advised thereof as a result of issue of this publication.

About this Manual

This manual provides a complete description of the TSU LT system and system software. The purpose of this manual is to provide the technician, system administrator, and manager with general and specific information related to the planning, installation, operation, and maintenance of the TSU LT. This manual is arranged so that needed information can be quickly and easily found.




901 Explorer Boulevard
P.O. Box 140000
Huntsville, AL 35814-4000
Phone: (256) 963-8000


© 2003 ADTRAN, Inc.
All Rights Reserved.
Printed in U.S.A.

Revision History

Document Revision	Date	Description of Changes
A	April 2003	Initial release of new part number.
B		
C		
D		
E		
F		
G		

Conventions

 **NOTE** *Notes provide additional useful information.*

 **CAUTION** *Cautions signify information that could prevent service interruption.*

WARNING *Warnings provide information that could prevent damage to the equipment or endangerment to human life.*

Safety Instructions

When using your telephone equipment, please follow these basic safety precautions to reduce the risk of fire, electrical shock, or personal injury:

1. Do not use this product near water, such as a bathtub, wash bowl, kitchen sink, laundry tub, in a wet basement, or near a swimming pool.
2. Avoid using a telephone (other than a cordless-type) during an electrical storm. There is a remote risk of shock from lightning.
3. Do not use the telephone to report a gas leak in the vicinity of the leak.
4. Use only the power cord, power supply, and/or batteries indicated in the manual. Do not dispose of batteries in a fire. They may explode. Check with local codes for special disposal instructions.
5. The socket-outlet shall be installed near the equipment and shall be easily accessible.



Double pole/neutral fusing.

Save These Important Safety Instructions

Compliance Information

Product: TSU LT
Model Numbers: 1203060L1
FCC Registration Number: US: HDCDENAN1203060L1

FCC regulations require that the following information be provided to the customer:

1. This equipment complies with Part 68 of the FCC rules. On the side or bottom of this equipment is a label that contains, among other information, the FCC Registration Number and Ringer Equivalence Number (REN), if applicable, for this equipment. If required, this information must be given to the telephone company.
2. An FCC-compliant telephone cord and modular plug is provided with this equipment. This equipment is designed to be connected to the telephone network or premises wiring using a compatible modular jack which is Part 68-compliant. See installation instructions for details.
3. If your telephone equipment causes harm to the telephone network, the telephone company may discontinue your service temporarily. If possible, they will notify you in advance. But if advance notice isn't practical, you will be notified as soon as possible. You will be advised of your right to file a complaint with the FCC.
4. Your telephone company may make changes in its facilities, equipment, operations, or procedures that could affect the proper operation of your equipment. If they do, you will be given advance notice to give you an opportunity to maintain uninterrupted service.
5. If you experience trouble with this equipment, please contact ADTRAN at (256) 963-8722 for repair/warranty information. The telephone company may ask you to disconnect this equipment from the network until the problem has been corrected or until you are sure the equipment is not malfunctioning.
6. This unit contains no user-serviceable parts.
7. The FCC recommends that the AC outlet to which equipment requiring AC power is to be installed is provided with an AC surge arrester.
8. The REN is used to determine the quantity of devices which may be connected to the telephone line. Excessive RENs on the telephone line may result in the devices not ringing in response to an incoming call. In most, but not all areas, the sum of RENs should not exceed five (5.0). To be certain of the number of devices that may be connected to a line, as determined by the total RENs, contact the local telephone company.
9. The following information may be required when applying to your local telephone company for leased line facilities.

Service Type	REN/SOC	FIC	USOC
1.544 Mbps - SF	6.0 F	04DU9-BN	RJ-48C
1.544 Mbps - SF and B8ZS	6.0 F	04DU9-DN	RJ-48C
1.544 Mbps - ESF	6.0 F	04DU9-1KN	RJ-48C
1.544 Mbps - ESF and B8ZS	6.0 F	04DU9-1SN	RJ-48C

Federal Communications Commission Radio Frequency Interference Statement

This equipment has been tested and found to comply with the limits for a Class A digital device, pursuant to Part 15 of the FCC Rules. These limits are designed to provide reasonable protection against harmful interference when the equipment is operated in a commercial environment. This equipment generates, uses, and can radiate radio frequency energy and, if not installed and used in accordance with the instruction manual, may cause harmful interference to radio frequencies. Operation of this equipment in a residential area is likely to cause harmful interference in which case the user will be required to correct the interference at his own expense.

**NOTE**

Shielded cables must be used with this unit to ensure compliance with Class A FCC limits.

WARNING

Changes or modifications to this unit not expressly approved by the party responsible for compliance could void the user's authority to operate the equipment.

Affidavit Requirements for Connection to Digital Services

- An affidavit is required to be given to the telephone company whenever digital terminal equipment without encoded analog content and billing protection is used to transmit digital signals containing encoded analog content which are intended for eventual conversion into voiceband analog signals and transmitted on the network.
- The affidavit shall affirm that either no encoded analog content or billing information is being transmitted or that the output of the device meets Part 68 encoded analog content or billing protection specifications.
- End user/customer will be responsible for filing an affidavit with the local exchange carrier when connecting unprotected customer premise equipment (CPE) to 1.544 Mbps or subrate digital services.
- Until such time as subrate digital terminal equipment is registered for voice applications, the affidavit requirement for subrate services is waived.

Affidavit for Connection of Customer Premises Equipment to 1.544 Mbps and/or Subrate Digital Services

For the work to be performed in the certified territory of _____ (telco name)

State of _____

County of _____

I, _____ (name), _____ (business address),

_____ (telephone number) being duly sworn, state:

I have responsibility for the operation and maintenance of the terminal equipment to be connected to 1.544 Mbps and/or _____ subrate digital services. The terminal equipment to be connected complies with Part 68 of the FCC rules except for the encoded analog content and billing protection specifications. With respect to encoded analog content and billing protection:

- I attest that all operations associated with the establishment, maintenance, and adjustment of the digital CPE with respect to analog content and encoded billing protection information continuously complies with Part 68 of the FCC Rules and Regulations.
- The digital CPE does not transmit digital signals containing encoded analog content or billing information which is intended to be decoded within the telecommunications network.
- The encoded analog content and billing protection is factory set and is not under the control of the customer.

I attest that the operator(s)/maintainer(s) of the digital CPE responsible for the establishment, maintenance, and adjustment of the encoded analog content and billing information has (have) been trained to perform these functions by successfully having completed one of the following (check appropriate blocks):

- A. A training course provided by the manufacturer/grantee of the equipment used to encode analog signals; or
- B. A training course provided by the customer or authorized representative, using training materials and instructions provided by the manufacturer/grantee of the equipment used to encode analog signals; or
- C. An independent training course (e.g., trade school or technical institution) recognized by the manufacturer/grantee of the equipment used to encode analog signals; or
- D. In lieu of the preceding training requirements, the operator(s)/maintainer(s) is (are) under the control of a supervisor trained in accordance with _____ (circle one) above.

I agree to provide _____ (telco's name) with proper documentation to demonstrate compliance with the information as provided in the preceding paragraph, if so requested.

Signature

Title

Date

Transcribed and sworn to before me

This _____ day of _____, _____

Notary Public

My commission expires:

Industry Canada Compliance Information

Notice: The Industry Canada label applied to the product (identified by the Industry Canada logo or the “IC:” in front of the certification/registration number) signifies that the Industry Canada technical specifications were met.

Notice: The Ringer Equivalence Number (REN) for this terminal equipment is supplied in the documentation or on the product labeling/markings. The REN assigned to each terminal device indicates the maximum number of terminals that can be connected to a telephone interface. The termination on an interface may consist of any combination of devices subject only to the requirement that the sum of the RENs of all the devices should not exceed five (5).

Canadian Emissions Requirements

This digital apparatus does not exceed the Class A limits for radio noise emissions from digital apparatus as set out in the interference-causing equipment standard entitled “Digital Apparatus,” ICES-003 of the Department of Communications.

Cet appareil numérique respecte les limites de bruits radioélectriques applicables aux appareils numériques de Class A prescrites dans la norme sur le matériel brouilleur: “Appareils Numériques,” NMB-003 édictée par le ministre des Communications.

Warranty

ADTRAN will replace or repair this product within the warranty period if it does not meet its published specifications or fails while in service. Warranty information can be found at www.adtran.com/warranty.

Product Registration

Registering your product helps ensure complete customer satisfaction. Please take time to register your products on line at www.adtran.com. Click *Service/Support* on the top of the page, and then click *Product Registration* under *Support*.

Customer Service, Product Support Information, and Training

ADTRAN will replace or repair this product within the warranty period if it does not meet its published specifications or fails while in service. Warranty information can be found at www.adtran.com/warranty.

A return material authorization (RMA) is required prior to returning equipment to ADTRAN. For service, RMA requests, training, or more information, use the contact information given below.

Repair and Return

If you determine that a repair is needed, please contact our Customer and Product Service (CAPS) department to have an RMA number issued. CAPS should also be contacted to obtain information regarding equipment currently in house or possible fees associated with repair.

CaPS Department (256) 963-8722

Identify the RMA number clearly on the package (below address), and return to the following address:

ADTRAN Customer and Product Service
901 Explorer Blvd. (East Tower)
Huntsville, Alabama 35806

RMA # _____

Pre-Sales Inquiries and Applications Support

Your reseller should serve as the first point of contact for support. If additional pre-sales support is needed, the ADTRAN Support web site provides a variety of support services such as a searchable knowledge base, latest product documentation, application briefs, case studies, and a link to submit a question to an Applications Engineer. All of this, and more, is available at:

<http://support.adtran.com>

When needed, further pre-sales assistance is available by calling our Applications Engineering Department.

Applications Engineering (800) 615-1176

Post-Sale Support

Your reseller should serve as the first point of contact for support. If additional support is needed, the ADTRAN Support web site provides a variety of support services such as a searchable knowledge base, updated firmware releases, latest product documentation, service request ticket generation and troubleshooting tools. All of this, and more, is available at:

<http://support.adtran.com>

When needed, further post-sales assistance is available by calling our Technical Support Center. Please have your unit serial number available when you call.

Technical Support (888) 4ADTRAN

Installation and Maintenance Support

The ADTRAN Custom Extended Services (ACES) program offers multiple types and levels of installation and maintenance services which allow you to choose the kind of assistance you need. This support is available at:

<http://www.adtran.com/aces>

For questions, call the ACES Help Desk.

ACES Help Desk (888) 874-ACES (2237)

Training

The Enterprise Network (EN) Technical Training Department offers training on our most popular products. These courses include overviews on product features and functions while covering applications of ADTRAN's product lines. ADTRAN provides a variety of training options, including customized training and courses taught at our facilities or at your site. For more information about training, please contact your Territory Manager or the Enterprise Training Coordinator.

Training Phone (800) 615-1176, ext. 7500

Training Fax (256) 963-6700

Training Email training@adtran.com

Table of Contents

Chapter 1 Introduction	19
TSU LT Overview	19
TSU LT Physical Description	19
TSU LT Features	20
TSU LT Interfaces	20
TSU LT Bridge/Router Application	20
Chapter 2 Inspection and Installation	21
TSU LT Shipment	21
Inspecting for Damages	21
Shipping Contents	21
Installing the TSU LT	21
Power Connection	21
Grounding Instructions	21
TSU LT Rear Panel	23
TSU LT Interfaces	23
Power Up Testing & Initialization	24
Self-Test	24
Chapter 3 Operation	27
Front Panel	27
LCD Window	28
Main Menu	28
Status	29
Config (Configuration)	29
Util (Utility)	30
Test	30
Example Menu Operations	31
Selecting a Main Menu Item	31
Selecting a Submenu	32
Setting Data Fields	32
Viewing Display-Only Data Fields	32
Exiting Any Menu Field Operation or Display	32
Alternate Method of Control from TSU LT	33
T-Watch PRO Management Software Program	33
Chapter 4 Status Menu	35
NI Perf Rpts menu	35
Curr Err/Alm Menu	36
Err/Alm Hist Menu	37
Chapter 5 Config Menu	39
Network (NI) Menu	39

Clock Sources and Timing	40
Unit Menu	42
Cntrl Port Submenu	43
Alarms Submenu	43
Port Menu	44
Chapter 6 Utility Menu	47
Software Rev	47
Reinit Unit	47
Address	47
Set Passcode	48
Keypad	48
Fact Restore	48
Chapter 7 Test Menu	49
Network Tests	49
Local Loopback	49
Remote Loopback	50
Test Pattern	51
CLR Errors	51
Insert 511 Errors	51
Run Self-Test	51
Port Tests	52
Chapter 8 Circuit Testing	53
Far End Looped Back Test	53
Appendix A TSU LT Menu Tree	55
Appendix B DTE Data Rate Chart.....	57
Appendix C Pinouts.....	59
Network (USOC RJ-48C)	59
Control Chain In (RJ-48)	59
Control Chain Out (RJ-48)	60
Nx56K/64K DTE (V.35)	61
Index.....	63

List of Figures

Figure 1-1. TSU LT - Front Panel	19
Figure 1-2. TSU LT - Rear Panel	19
Figure 1-3. Simple Bridge Application on a T1 or an FT1 Circuit	20
Figure 2-1. TSU LT Rear Panel	23
Figure 2-2. TSU LT Interfaces	24
Figure 3-1. TSU LT Front Panel	27
Figure 3-2. TSU LT Main Menu Screen	28
Figure 3-3. TSU LT Main Menus	29
Figure 3-4. Cursor on Menu Item	31
Figure 3-5. Submenu Fields	31
Figure 4-1. Status Menu Tree	35
Figure 4-2. Severely Errored Seconds Screen	36
Figure 4-3. Loss of Signal (Current Errors/Alarms) Screen	36
Figure 4-4. Clear History Screen	37
Figure 5-1. Configuration Menu Tree	39
Figure 5-2. Network Submenu	40
Figure 5-3. Network Timed Clock Source	41
Figure 5-4. DTE Clock Source	41
Figure 5-5. Internal Clock Source	42
Figure 5-6. Configuration Submenu	42
Figure 5-7. Inband Remote Configuration	46
Figure 6-1. Utility Menu Tree	47
Figure 6-2. Address Screen	48
Figure 7-1. Test Menu Tree	49
Figure 7-2. Network Loopback Tests	50
Figure 7-3. Self Test Results Screen	51
Figure 7-4. Port Loopback Tests	52
Figure A-1. TSU LT Menu Tree (Status and Config)	55
Figure A-2. TSU LT Menu Tree (Util and Test).....	56

List of Tables

Table 1-1. TSU Family of Single-port CSU/DSUs	19
Table 2-1. Number Identification for TSU LT Rear Panel	23
Table 3-1. Number Identification for TSU LT Front Panel	27
Table 3-2. LCD Features	28
Table 4-1. Network Interface Performance Reports (15 Min / 24 Hours)	36
Table 4-2. Alarms and Errors (Current and Historical).....	37
Table 5-1. Network Interface Submenus.....	40
Table 5-2. Normal Mode Operation	46
Table B-1. DTE Data Rate Chart	57
Table C-1. Network Pin Assignments.....	59
Table C-2. Chain In Pin Assignments.....	59
Table C-3. Chain Out Pin Assignments	60
Table C-4. V.35 Pin Assignment	61

TSU LT OVERVIEW

The TSU LT belongs to the ADTRAN T1 single-port CSU/DSU family offering complete flexibility in connecting various data sources to T1 or FT1 facilities (see Table 1-1).

Table 1-1. TSU Family of Single-port CSU/DSUs

Product	Description
TSU ACE	T1 CSU/DSU with a single Nx56/64K serial port that offers front panel configuration only.
TSU LT	T1 CSU/DSU with a single Nx56/64K serial port that offers terminal, front panel, or T-Watch PRO configuration options.

The TSU LT serves as the link between user data sources such as local area network (LAN) bridges and routers, computers, CAD systems, and teleconferencing equipment. The amount of bandwidth allocated to the port is custom programmable. The data terminal equipment (DTE) data can occupy contiguous or alternate channels in the T1 stream, and the channels may start at any position.

TSU LT Physical Description

Figure 1-1 shows the TSU LT front panel and Figure 1-2 shows the rear panel.

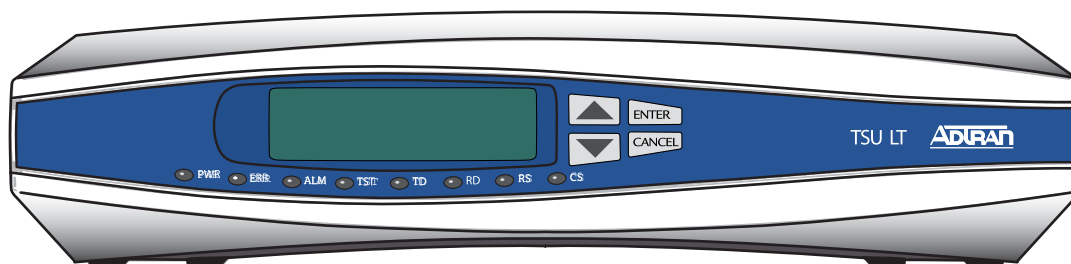


Figure 1-1. TSU LT - Front Panel

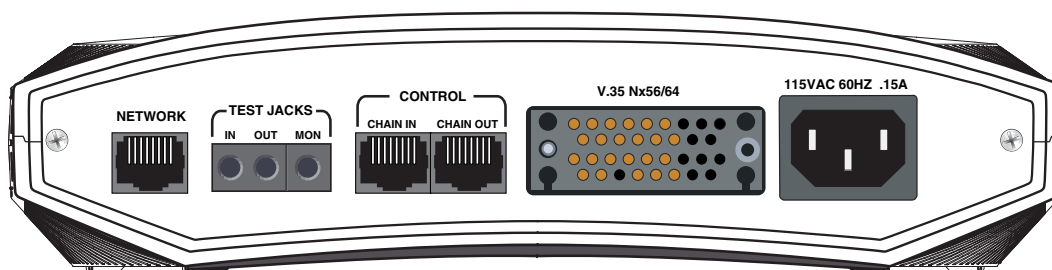


Figure 1-2. TSU LT - Rear Panel

TSU LT Features

- Easy configuration capabilities using simplistic menus displayed in a liquid crystal display (LCD) window operated by a front panel keypad.
- Timing is selectable from the network, from the Nx56/64 DTE port, or internally.
- Variety of test patterns: all ones, all zeros, 511, 1:8.
- Extensive self-testing and monitoring ensures proper operation.
- Flexible channel allocation (any starting channel and alternate or contiguous).

TSU LT Interfaces

The TSU LT is equipped with four interfaces:

- Network DS1 interface per AT&T 62411
- Nx56/64 serial V.35
- Control input (EIA-232)/Chain port input
- Chain port output

TSU LT BRIDGE/ROUTER APPLICATION

A bridge or router can be interfaced to the network by using the V.35 DTE interface. The bandwidth used is programmable at Nx56 or Nx64 data rates for T1 or FT1 service. The bandwidth can be selected as contiguous or alternate. Figure 1-3 shows a simple bridge application.

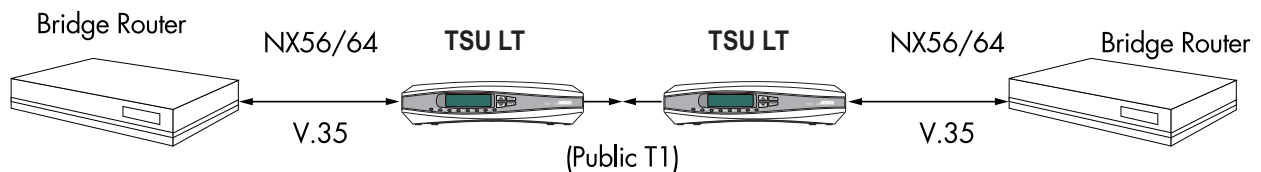


Figure 1-3. Simple Bridge Application on a T1 or an FT1 Circuit

TSU LT SHIPMENT

Inspecting for Damages

Carefully inspect the TSU LT for any shipping damage. If damage is suspected, file a claim immediately with the carrier and then contact ADTRAN Customer Service. If possible, keep the original shipping container for use in shipping the TSU LT back for repair or for verification of damage during shipment.

Shipping Contents

The following items are included in the ADTRAN shipment:

- TSU LT unit
- Power cable
- RJ-48 T1 Cable
- Documentation CD
- Loopback plug



Customers must provide the DTE cable as well as a cable for the chain port, if it is used.

INSTALLING THE TSU LT

Power Connection

Each TSU LT unit comes with an eight-foot power cord, terminated by a three-prong plug which connects to a grounded power receptacle.



Power to the TSU LT must be from a grounded 115 VAC, 60 Hz power source.

Grounding Instructions

Grounding instruction information from the *Underwriters' Laboratory UL 1950 3rd Edition* is provided in this section. An equipment grounding conductor that is not smaller in size than the ungrounded branch-circuit supply conductors is to be installed as part of the circuit that supplies the product or system.

Bare, covered, or insulated grounding conductors are acceptable. Individually covered or insulated equipment grounding conductors shall have a continuous outer finish that is either green, or green with one or more yellow stripes. The equipment grounding conductor is to be connected to ground at the service equipment.

The attachment-plug receptacles in the vicinity of the product or system are all to be of a grounding type, and the equipment grounding conductors serving these receptacles are to be connected to earth ground at the service equipment. A supplementary equipment grounding conductor shall be installed between the product or system and ground that is in addition to the equipment grounding conductor in the power supply cord.

The supplementary equipment grounding conductor shall not be smaller in size than the ungrounded branch-circuit supply conductors. The supplementary equipment grounding conductor shall be connected to the product at the terminal provided, and shall be connected to ground in a manner that will retain the ground connection when the product is unplugged from the receptacle. The connection to ground of the supplementary equipment grounding conductor shall be in compliance with the rules for terminating bonding jumpers at Part K or Article 250 of the National Electrical Code, ANSI/NFPA 70. Termination of the supplementary equipment grounding conductor is permitted to be made to building steel, to a metal electrical raceway system, or to any grounded item that is permanently and reliably connected to the electrical service equipment ground.

Bare, covered, or insulated grounding conductors are acceptable. A covered or insulated grounding conductor shall have a continuous outer finish that is either green, or green with one or more yellow stripes.

The supplemental grounding conductor shall be connected to the equipment using a number 8 ring terminal. The terminal should be fastened to the grounding lug provided on the rear panel of the equipment. The ring terminal should be installed using the appropriate crimping tool (AMP P/N 59250 T-EAD Crimping Tool or equivalent).

TSU LT Rear Panel

To install the TSU LT, make the appropriate connections using Figure 2-1, Table 2-1, and *TSU LT Interfaces* as guides.

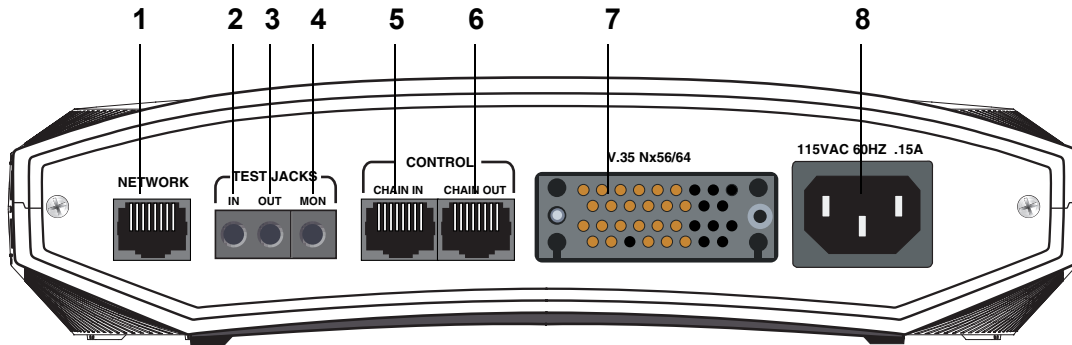


Figure 2-1. TSU LT Rear Panel

Table 2-1. Number Identification for TSU LT Rear Panel

No.	Item	Function
1	Network	T1-FT1 network interface
2	In	Bantam test jack
3	Out	Bantam test jack
4	MON (Monitor)	Bantam test jack
5	Chain In	Interface of Chain In (Hyperterminal <Ctrl +PTT>, etc.)
6	Chain Out	Connects to Chain In of another TSU LT
7	V.35 Nx56/64	DTE port
8	115 VAC 60 Hz 0.15A Power Receptacle	Accepts 3-prong power cord (included with shipment)

TSU LT Interfaces

Figure 2-2 on page 24 illustrates the four interfaces that come with the TSU LT and how they might be connected. The interfaces include the following, and *Appendix B*, on page 57 shows the pinouts.

- Network DS1 interface per AT&T 62411
- Control input (EIA-232)/chain port input
- Chain port output
- Nx56/64 serial V.35

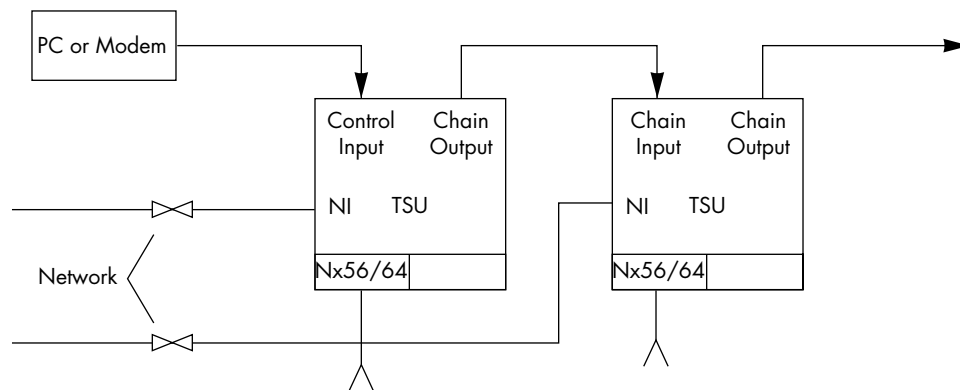


Figure 2-2. TSU LT Interfaces

Network Interface (NI)

The Network Interface (NI) port provides the connection to the T1/FT1. It complies with the applicable ANSI and AT&T standards.

Control Port Input (Chain In)

The control port input provides an EIA-232 input from a PC or a modem for control of the TSU LT. You can also use it as a Chain input from any ADTRAN unit with a Chain port or as input for PC proxy agent control.

Chain Port Output (Chain Out)

The chain port output include provides an EIA-232 output to chain control to other TSU LTs.

V.35 Nx56/64 Serial Interface

The Nx56/64 serial interface operates at the following data rates: N*56K or N*64K, where N=1 to 24 (DS0s).

POWER UP TESTING & INITIALIZATION

Self-Test

When shipped from the factory, the TSU LT is set to factory default conditions. When you first power-up, the unit automatically executes self-tests followed by an initialization sequence which sets up the unit. The self-test checks the integrity of the internal operation of the electronic components by performing memory tests and by sending and verifying data test patterns through all internal interfaces. Although actual user data cannot be passed during these tests, the self-test can run with the network and DTE interfaces in place, without disturbing any external interface.

The self-test automatically executes upon power-up. It can also be commanded from a front panel menu or from the control port.

In addition to the specified self-tests, background tests are run on various parts of the internal electronics. These run during normal operation to confirm continued correct functioning. The background tests include the following:

- Monitoring the phase-locked loop for lock.
- Standard background network performance monitoring.

The self-test works as follows:

If...	Then...
a power-up (or commanded) self-test occurs	the LCD displays ADTRAN TSU INITIALIZING and the LEDs illuminate sequentially.
the self-test completes with no failures detected	the LCD momentarily displays ALL TESTS PASSED.
a failure is detected	it is displayed in the LCD window.

The automatic self-test consists of the following tests:

- Board level tests
- Random access memory (RAM) tests; erasable programmable read only memory (EPROM) checksum
- On-board data path. Sending a known test pattern through an on-board loop
- Unit level tests
- Front panel LED verification
- Phase lock loop verification

FRONT PANEL

The front panel monitors operation and controls the unit configuration. Figure 3-1 illustrates the TSU LT front panel. Use the **UP** and **DOWN** arrows on the front panel to access the menus and data fields. At every menu level, pressing **CANCEL** returns the system to the previous menu level. Repeatedly pressing **CANCEL** returns the system to the main menus. You can configure and control the TSU LT from either the local front panel or from a PC using the T-Watch PRO management software. Table 3-1 lists the unit features identified by number in Figure 3-1.

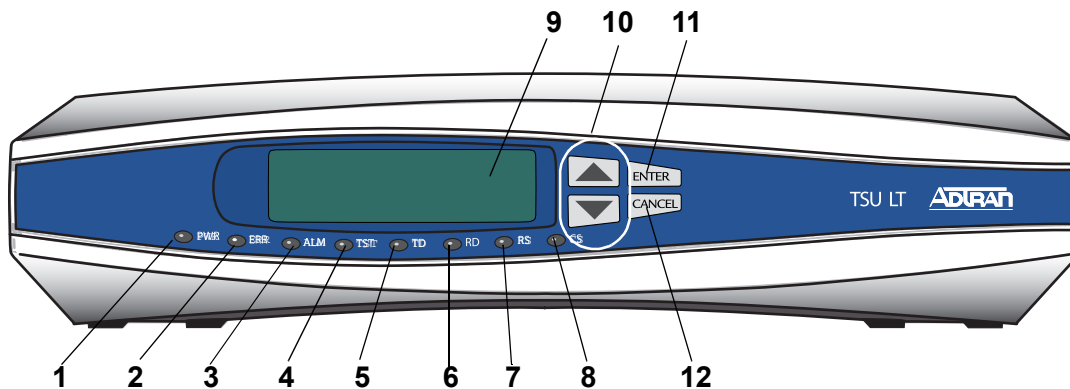


Figure 3-1. TSU LT Front Panel

Table 3-1. Number Identification for TSU LT Front Panel

Item	Displays	Function
1	PWR	LED ON when power is received by TSU LT.
2	ERR	LED ON when error event occurred in the last second (for example, BPV).
3	ALM	LED ON when an alarm condition exists.
4	TST	LED ON when unit is in test mode.
5	TD	LED ON when DTE data is being transmitted.
6	RD	LED ON when DTE data is being received.
7	RS	LED ON when request to send (RTS) active from DTE.
8	CS	LED ON when TSU LT has clear to send (CTS) active toward DTE.
9	LCD	A 2X16 LCD window that displays menu items used in configuration and displays information useful in monitoring the unit. See also <i>LCD Window</i> on page 28.

Table 3-1. Number Identification for TSU LT Front Panel (Continued)

Item	Displays	Function
Operation Keys		
10	Up/Down	Keyboard arrows used to travel up/down menu trees. Arrows increase/decrease numeric values and scroll through selections.
11	Enter	Used to choose paths and make selections.
12	Cancel	Used to exit selections or menu tree branches.

LCD WINDOW

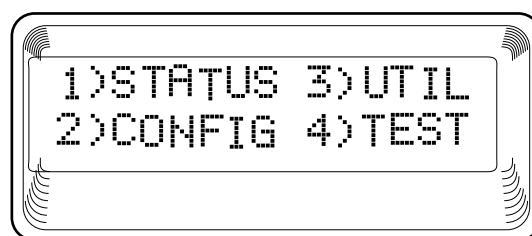
The TSU LT uses a multilevel menu structure containing both menu items and data fields. The opening (main) menus are the access points to all other operations. The TSU LT front panel LCD displays these numbered menus and data fields. Table 3-2 lists features you should look for in the LCD when viewing the menus and data fields.

Table 3-2. LCD Features

Feature	Description
Data Fields	A menu item followed by a colon (:) identifies an editable data field.
Display Field	A menu field followed by alarm or error information (read-only).
Arrows	Menus that display small up or down arrows in the lower right corner of the window indicate there are more menu items than are viewable on a two-line LCD. The additional menu items are accessed with the front panel UP or DOWN arrows.

MAIN MENUS

Each main menu has several submenus to identify and access specific parameters. The four main menus include **1)STATUS**, **2)CONFIG**, **3)UTIL**, and **4)TEST**. Figure 3-2 shows the main menus in the front panel's LCD window. Figure 3-3 on page 29 shows the menu tree for main menus and first-level submenus. (Appendix A, *TSU LT Menu Tree*, on page 55 contains the complete TSU LT menu tree.)

**Figure 3-2. TSU LT Main Menu Screen**

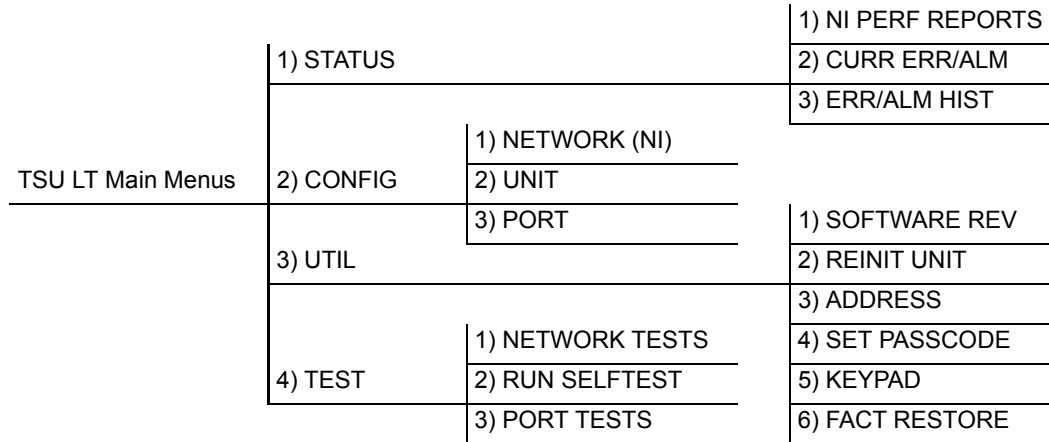


Figure 3-3. TSU LT Main Menus

Status

Use the **STATUS** menu to view the operational status of the TSU LT. (Also see *Status Menu* on page 35.) This menu includes the following submenus:

- NI PERF RPTS** Use to view and reset the user set of data on the Network Interface Performance Reports. These reports are in compliance with ANSI T1.403 and AT&T document TR54016.
- CURR ERR/ALM** Use to view current errors and alarms as reported by the TSU LT.
- ERR/ALM HIST** Use to view and clear the history of errors and alarms.

Config (Configuration)

Use the **CONFIGURATION** menu to set the TSU LT operational configuration. (Also see *Config Menu* on page 39.) This menu includes the following submenus:

- NETWORK (NI)** Use to set all of the parameters associated with the network interface.
- UNIT** Use to control the TSU LT control-port baud rate and to set up the dial-out function.
- PORT** Use to configure the parameters associated with the DTE (V.35) port.

Util (Utility)

Use the **UTIL** menu to view and to set system parameters. (Also see *Utility Menu* on page 47.) This menu includes the following submenus:

SOFTWARE REV	Displays the version number of the current software revision level. This information is required when requesting assistance from ADTRAN Customer Service or when updates are needed.
REINIT UNIT	Reinitializes the unit (runs a self-test). This menu does not restore the factory default settings.
ADDRESS	Use to view and change the current unit address used for control-port access. Acceptable addresses are 0002 through 9999.
SET PASSCODE	Sets a passcode for use with KEYPAD .
KEYPAD	Use to lock the front panel keypad so that no accidental changes are made to the menus. Enter the passcode to unlock the keypad (see <i>Set Passcode</i> on page 48).
FACT RESTORE	Restores factory default settings for all unit parameters.

Test

Use the **TEST** menu to initiate different types of unit tests and to view test results which are displayed in the LCD window. (Also see *Test Menu* on page 49.) The menu contains three submenus:

NETWORK TESTS	Use to control the activation of loopbacks and the initiation of data test patterns.
RUN SELF TEST	Use to execute an internal self-test.
PORT TESTS	Use for testing the DTE (V.35) port.



Test execution disrupts some normal operations. See the individual test menu descriptions before executing a test.

EXAMPLE MENU OPERATIONS

The following examples show you how to select a main menu item and submenu item; how to set a data field; how to view a data field and how to exit any menu or display.

Selecting a Main Menu Item

To select a main menu, perform the following steps:

1. Use the front panel **UP** and **DOWN** arrows to place the cursor on a main menu item; in this example, **2) CONFIG**. See Figure 3-4.
2. Press **ENTER**.

The unit responds by displaying the first two available submenu fields (see Figure 3-5). The cursor is on the first field. If there are more than two menu fields, a down arrow is visible on the lower right corner. Use the front panel **DOWN** arrow to access these.

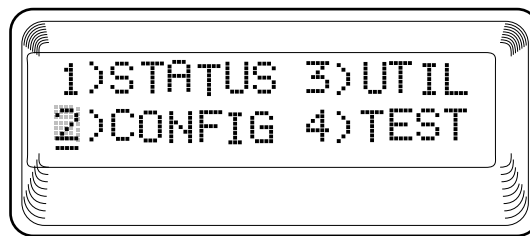
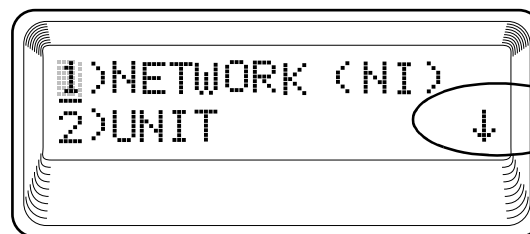


Figure 3-4. Cursor on Menu Item



Arrow indicates that more submenus are available.

Figure 3-5. Submenu Fields

3. To exit out of a main menu, press **CANCEL**.

Selecting a Submenu

To select a submenu, perform the following steps:

1. Follow the same steps used to select a main menu.
2. Use the front panel **UP** and **DOWN** arrows to place the cursor on a menu; in this example, **1)NETWORK (NI)**.
3. Press **ENTER**.

The unit responds by displaying the first two available data field items. The cursor is on the number of the first item. When there are more than two data field items for the selected submenu, a down arrow is visible on the lower right corner. Use the front panel **DOWN** arrow to access these.

Setting Data Fields

Data fields that are available for editing are preceded by a colon (:). For this example, set the **FORMAT** type.

1. Follow this path: **2) CONFIG > 1)NETWORK (NI) > 1)FORMAT:**
2. Press **ENTER** while the cursor is located on **1)FORMAT:**. The cursor moves to the current data field (to the right of the submenu item name).

You can now use the **UP** and **DOWN** arrows to scan the available settings, which display in the data field position one at a time.

3. When the appropriate value is in the data field position, press **ENTER** to set the value.

The unit is set for the value shown in the data field and the cursor moves back to the submenu item position indicating the operation is complete. You can select another submenu field or press **CANCEL** to return to the submenu.



CANCEL is available any time during the operation. If used prior to pressing **Enter** after making a data change, the original data value is restored and the cursor returns to the submenu field.

Viewing Display-Only Data Fields

To view an example of a **DISPLAY ONLY** data field, navigate through the following menus:

1. Select **STATUS** from the main menu.
2. Select submenu **CURR ERR/ALM**.
LOSS OF SIGNAL INACTIVE/ACTIVE is displayed giving the current state of the alarm.

Exiting Any Menu Field Operation or Display

1. Press **CANCEL** as many times as required to return to a menu level.

ALTERNATE METHOD OF CONTROL FROM TSU LT

T-Watch PRO Management Software Program

T-Watch PRO is the ADTRAN management software program that allows the user to control the TSU LT from a PC. It provides complete control over the configuration of the TSU LT using a graphic interface. The T-Watch PRO program displays the same status and performance data as the front panel LCD. This data is displayed as tables and graphs. In addition, T-Watch PRO has the following capabilities:

- A modem interface permits dialing into a remote TSU LT location to configure the unit, read the unit's status, or check its performance.
- The performance data read from the units can be exported to a file which is compatible with common spreadsheet programs.

The **STATUS** menu branch lets you view the operational status of the TSU LT. Figure 4-1 shows the complete **STATUS** menu tree.

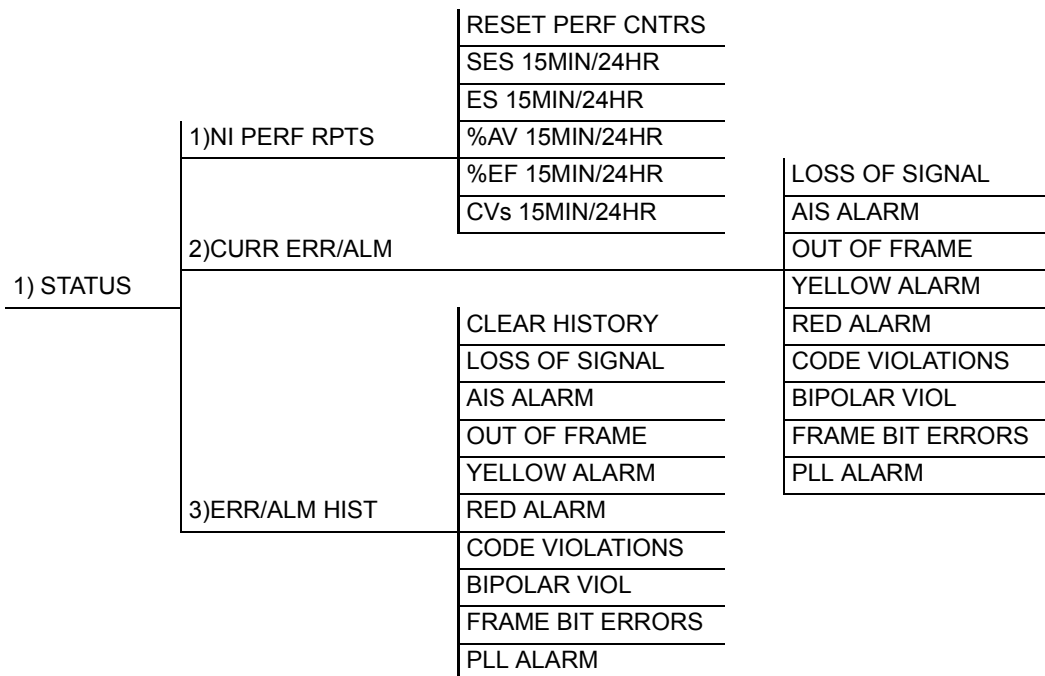


Figure 4-1. Status Menu Tree

NI PERF RPTS MENU

This branch (network interface performance reports) displays the *user* copy of the performance data. The TSU LT also maintains this performance data on the network in compliance with ANSI T1.403 and AT&T document TR54016. The data displayed is data accumulated over the last 15 minutes and over the last 24 hours.

These fields cannot be edited, only viewed or cleared. To clear the counters move to the **RESET PERF CNTRS** menu and press **ENTER**. To exit the menu, press the front panel **CANCEL** key. Only the user copy of performance data is cleared. Figure 4-2 on page 36 shows the LCD for an **SES** menu. Table 4-1 on page 36 shows the other data types available from the **NI PERF RPTS** menu.

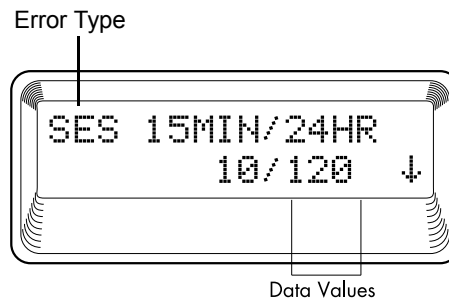


Figure 4-2. Severely Errored Seconds Screen

Table 4-1. Network Interface Performance Reports (15 Min / 24 Hours)

Data Type	Description
SES	Number of severely errored seconds
ES	Number of errored seconds
%AV	Percentage of available seconds
%EF	Percentage of error free seconds
CVs	Number of code violations



Since only the user's copy of performance data is cleared by the TSU LT, the data displayed here might be different from the data being sent to the network as performance report message (PRM) data.

CURR ERR/ALM MENU

Use this branch for viewing currently active or inactive errors and alarms. Use the front panel **UP** and **DOWN** arrows to move through the errors and alarms. Figure 4-3 shows an LOS alarm. Table 4-2 on page 37 provides a complete list of the errors and alarms.

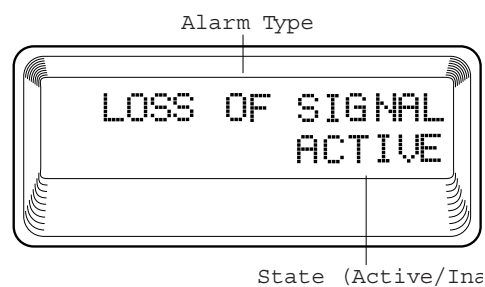


Figure 4-3. Loss of Signal (Current Errors/Alarms) Screen

ERR/ALM HIST MENU

Use this branch for viewing a history of errors and alarms. If an alarm has occurred since the last **CLEAR HISTORY** selection, the menu condition is active; otherwise it is inactive (see Figure 4-4). Table 4-2 provides a complete list of the errors and alarms.

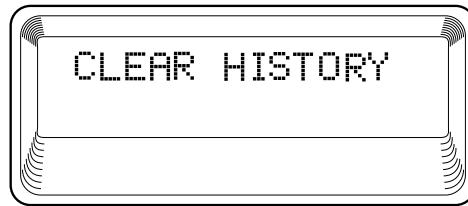


Figure 4-4. Clear History Screen

Table 4-2. Alarms and Errors (Current and Historical)

Errors and Alarms	Meaning
Loss of Signal	No pulses received at NI
AIS Alarm	Unframed All-Ones received at NI
Out of Frame	No framing pattern sync at NI
Yellow Alarm	Receiving yellow alarm pattern from NI
Red Alarm	Loss of signal/out of frame (LOS/OOF) causing red alarm at NI
Code Violations	Cyclic redundancy check (CRC) errors in ESF, or bipolar violations (BPVs) in Superframe Format (SF) were received at NI
Bipolar Violations	BPVs (the presence of two consecutive bits of the same polarity) in SF or ESF
Frame Bit Errors	Frame Bits received incorrectly at NI
PLL Alarm	Unable to sync up to selected clock

Config Menu

Use the **CONFIG** menus to set the TSU LT operational configuration, including all of the network interface parameters, the allocation of the DS0s, and the port parameters. This menu includes three branches: **NETWORK (NI)**, **UNIT**, and **PORT**. Figure 5-1 shows the complete menu tree.

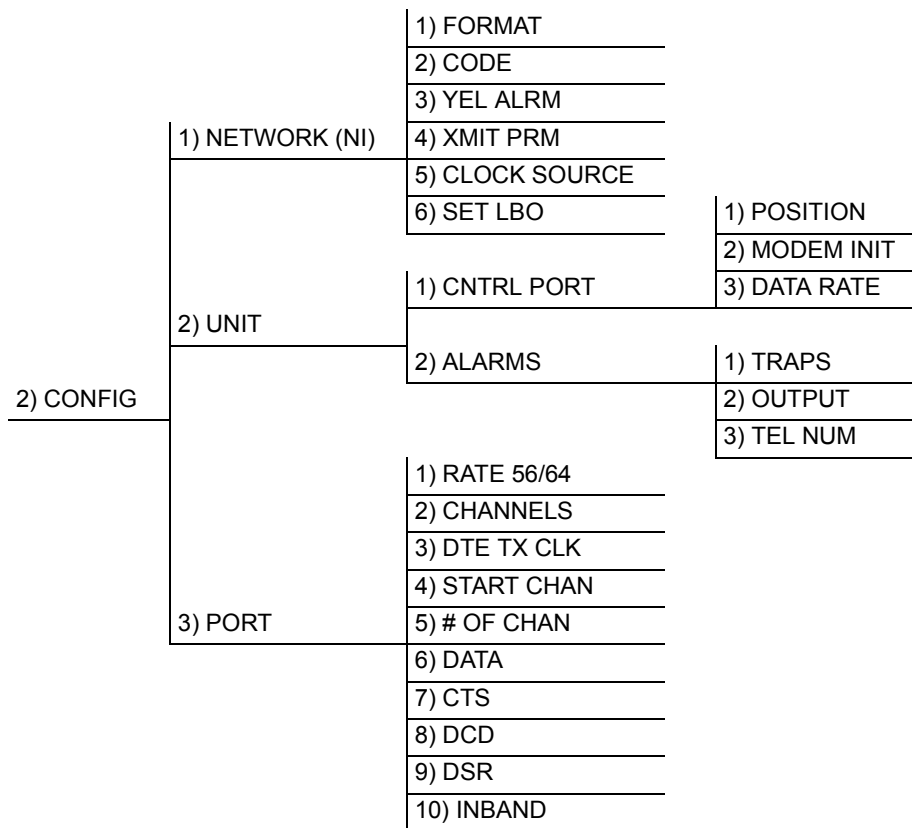


Figure 5-1. Configuration Menu Tree

NETWORK (NI) MENU

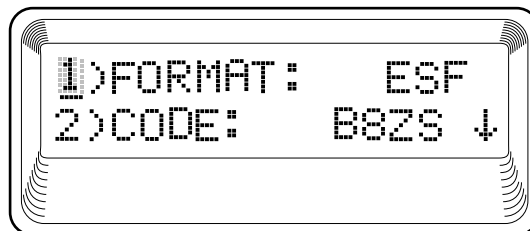
Use this menu to access the configuration of parameters associated with the network interface in the TSU LT. This branch includes six submenus (see Table 5-1 on page 40). Figure 5-2 on page 40 shows one submenu.

Table 5-1. Network Interface Submenus

Submenu	Description
FORMAT	Sets the frame format for the NI. Choices: D4, ESF, AUTO ^a
CODE	Sets the line code for the NI. Choices: AMI, B8ZS
YEL ALRM	Enables and disables the transmitting of yellow alarms. Choices: ENA (enable), DISA (disable)
XMIT ALRM	Enables and disables the transmitting of performance report message (PRM) data on the facility data link (FDL). The PRM data continues to be collected even if XMIT PRM is disabled (possible only with ESF Format). Choices: ENA (enable), DISA (disable)
CLOCK SOURCE ^b	Selects the clock source for transmission toward the network from the NI. Choices: NETWORK, DTE, INTERNAL
SET LBO	Selects the line build-out (amount of attenuation, in dB) for the network interface. Choices: 0, 7.5, 15, 22.5

a D4 is equivalent to Superframe Format (SF).

b For more information on clock sources and timing, see *Clock Sources and Timing* on page 40.

**Figure 5-2. Network Submenu**

Clock Sources and Timing

The TSU LT operates from various clock sources, permitting it to perform properly in many different applications. Use the **CONFIG > NETWORK (NI) > 5)CLOCK SOURCE:** menu to set the network interface clocking options (network, DTE, or internal timing). See the descriptions for *Network Timing* on page 41, *DTE Timing* on page 41, and *Internal Timing* on page 42.



The clocking option selected always designates the clock source for transmission. Clocking necessary for receiving data is always recovered from incoming data.

Network Timing

The network is the source of timing. The received data clocking is looped back to the network where it is used to determine the transmission timing. This option is also referred to as looped timed as the transmission clock is derived from the received clock. See Figure 5-3.

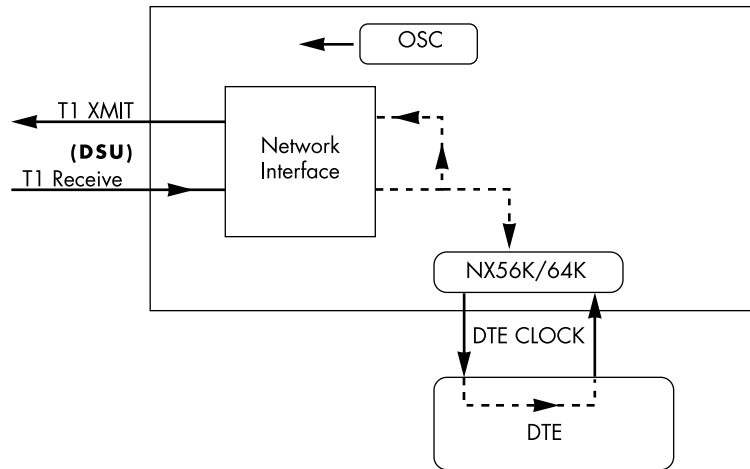


Figure 5-3. Network Timed Clock Source

DTE Timing

The DTE is the source of timing. The TSU LT uses the incoming DTE clock to determine the transmission timing. This is typically used in applications such as limited distance line drivers, where it is necessary to have the DTE as the primary clock source (see Figure 5-4).

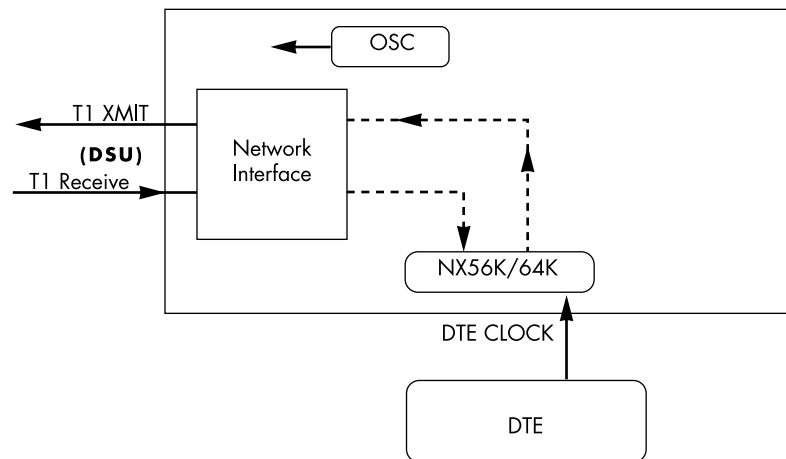


Figure 5-4. DTE Clock Source

Internal Timing

The TSU LT is the source of timing. The TSU LT is configured to use its own internal oscillator as the source of timing. Applications include private line driver circuits where one end is set to network and the other to internal. See Figure 5-5.

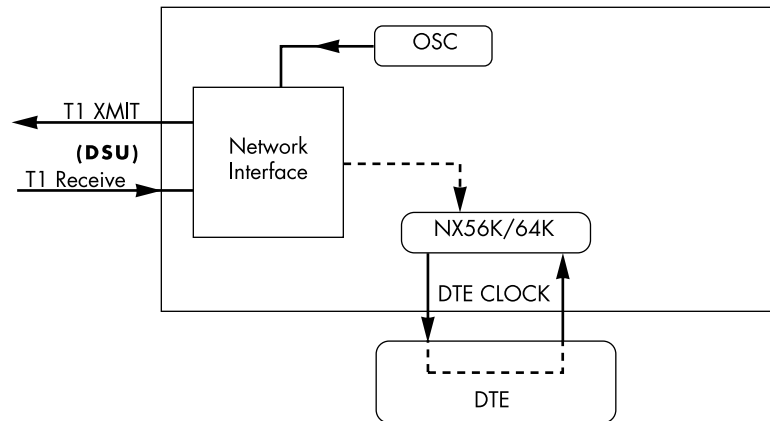


Figure 5-5. Internal Clock Source

UNIT MENU

Use the **UNIT** submenus to change control port and alarm options. Figure 5-6 shows a sample LCD window.

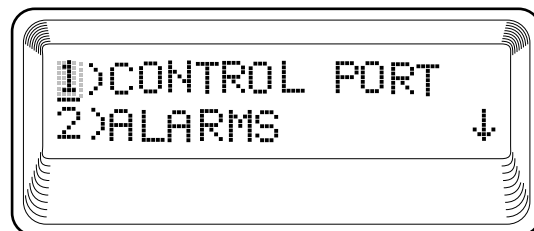


Figure 5-6. Configuration Submenu

Cntrl Port Submenu

Use to set up the unit as the master or slave on a chain of units, and to initialize a modem and the control port data rate.

- POSITION**
[of TSU LT]
- This option determines if the TSU LT is at the head of a chain of units (directly connected to the modem or PC). The head of the chain is referred to as the master unit. Units down the chain are referred to as slaves or a slave unit.
- Setting the position is only necessary when you are using a modem, in which case the head unit should be **MASTER**. For all other cases, select **SLAVE**. (The master is in charge of control of the modem.)
- Choices: MASTER, SLAVE
- MODEM INIT**
- Use this option to initialize a modem, but only when the TSU LT is serving as the **MASTER** unit. The modem should be physically connected to the TSU LT with the power turned on prior to initialization. At this point, an industry-standard AT command string is used to initialize the modem. The string is also used following future power-up sequences.
- Choices: ENA (enable), DISA (disable)
- DATA RATE**
- Selects the data rate for the control port. The data rate should be consistent with all units on a chain and with the modem and/or PC/Proxy Agent serial port.
- Choices: 1200, 2400, 9600

Alarms Submenu

Use these submenus to initialize the method by which the control port handles alarm conditions.

- TRAPS**
- Determines if alarm conditions should automatically trigger an alarm message (trap) to the controlling PC/Proxy Agent. The setting is for this unit, or for slaves if this unit is a master. For applications where the **AUTO INBAND** selection is not acceptable, **TRAPS** should only be enabled with the Inband selection set to **ON** or **OFF**.
- Choices: ENA (enable), DISA (disable)
- OUTPUT**
- Selects whether the alarm traps (if enabled) are sent directly, or if the telephone number stored in the TSU LT should be dialed first (industry-standard AT dial command sent to modem).
- Choices: DIRECT, DIAL

TEL NUM Sets the telephone number to be dialed to send alarm traps. The string can be up to 20 characters in length and is terminated with a semicolon (;) as the last character. A colon (:) character is used to represent a pause in the dial string.

For example, for number 9:5551212; dial 9, pause momentarily and then dial 5551212. This pause could be necessary to access an outside line, such as a PBX. When editing a specific character, the arrows are used to scroll from 0 to 9, then colon (:), and semicolon (;). The new telephone number is entered into the TSU LT only after typing the semicolon and pressing **ENTER**.

Choices: 20 digits (**0-9**, :, and ;)



The **ALARM > TEL NUM** menu only accepts the typed digits after pressing **ENTER**.

PORT MENU

Use this menu to select and configure the parameters associated with the V.35 port.

RATE 56/64 Sets the base rate of the interface. The actual data rate depends on the number of DS0s assigned to the Nx port. The DTE data rate versus the number of DS0s appears in Appendix B, *DTE Data Rate Chart*, on page 57.

Choices: 56K, 64K

CHANNELS Sets the unit to use **ALTERNATE** or **CONTIGUOUS** channels in the T1 data stream. If more than 12 channels are used, then **CONTIGUOUS** must be used. Otherwise, **ALTERNATE** channels may be used to meet pulse density requirements (this is only necessary for Nx 64 without B8ZS). If other than a private network, the carrier must be notified of this choice.

Choices: ALT (alternate), CONT (contiguous)

DTE TX CLK Controls the clock used by the TSU LT to accept the transmit (TX) data from the DTE. Most applications will allow for this to be set to **INTERNAL**. If the interface cable is long (causing a phase shift in the data) the clock can be selected as **INT-INV** (Internal/Inverted - the factory default setting). This switches the phase of the clock which should compensate for a long cable.

The **AUTO** setting allows the TSU LT to automatically detect the delay from the DTE device to the TSU LT and set the proper phase of the clock. This feature automatically selects between the **INTERNAL** and **INT-INV** settings. If the DTE provides a clock with TX data, the clock selection is set to **EXTERNAL**. The TSU LT depends on an externally supplied clock to accept the TX data.

Choices: INT-INV, INTERNAL, EXTERNAL, AUTO

- START CHAN** Sets the starting channel for the T1 stream. This setting must be consistent with the carrier if using a public network.
Choices: 01 through 24
- # OF CHAN** Sets the number of DS0s (channels) to be used. The corresponding DTE rate will be this number times 56K or 64K, depending on the setting of **1)RATE 56/64**.
Choices: 01 through 24
- DATA** Controls the inversion of DTE data. This inversion can be useful when operating with an HDLC protocol. Often used as a means to ensure ones (1s) density. TSU LTs on both ends must have identical option settings.
Choices: NORMAL, INVERT
- CTS** Clear To Send - signal sent from the receiving station to the transmitting station that indicates it is ready to accept data.
Choices: NORMAL (see Table 5-2 on page 46), FORCE ON
- DCD** Data Carrier Detect - Indicates to the DTE when a valid signal is being received at the Network Interface.
Choices: NORMAL (see Table 5-2 on page 46), FORCE ON
- DSR** Data Set Ready - Indicates to the DTE when the DCE is turned **ON** and ready for operations.
Choices: NORMAL (see Table 5-2 on page 46), FORCE ON.
- INBAND** Inband Configuration Channel - Use to enable/disable an 8-kbps remote configuration channel (see Figure 5-7 on page 46). When this option is set to **ON**, the first DS0 occupied operates in 56K mode and the DTE clock rate is reduced by 8 kbps. The TSU LT uses this 8-kbps channel to send and receive configuration data across a T1 span. As shown in Figure 5-7, this feature allows the PC connected to the Chain In port on TSU LT A to monitor and configure both TSU LT A and B. This feature is useful when FDL connectivity is not available across the T1 span. The 8-kbps channel is only taken out of the first DS0. If two 64K DS0s are mapped, the DTE rate would be 120 kbps instead of 128 kbps.

This menu option can also be set to **AUTO** which activates the Inband Channel only when commands are sent from T-Watch PRO to the remote unit (TSU LT B in Figure 5-7). If no T-Watch PRO activity is detected for 10 minutes, the Inband Channel is deactivated.

Table 5-2. Normal Mode Operation

NORMAL MODE OPERATION							
Conditions which cause the Port Control Signals to be deactivated							
SIGNAL	RTS	V.54 LOOP BK	511 TST ON	SELF-TEST ACTIVE	NETWK TEST ACTIVE	NO DS0 MAPPED	NETWORK ALARM
CTS	Follows	OFF	OFF	OFF	OFF	OFF	OFF
DCD	—	—	—	OFF	—	OFF	OFF
DSR	—	OFF	OFF	OFF	OFF	OFF	—

Where " — " = don't care

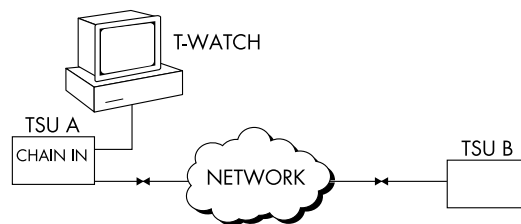


Figure 5-7. Inband Remote Configuration

Use the **UTILITY** branch to view the unit's software revision, to reinitialize the unit, to set system parameters, and to restore factory default settings (see Figure 6-1).

UTIL	1) SOFTWARE REV
	2) REINIT UNIT
	3) ADDRESS
	4) SET PASSCODE
	5) KEYPAD
	6) FACT RESTORE

Figure 6-1. Utility Menu Tree

SOFTWARE REV

Displays the current software revision level. This information is required when requesting assistance from ADTRAN Customer Service or when updates are needed.

REINIT UNIT

Reinitializes the unit. Do not use this submenu to restore the factory default settings for all parameters; instead, use the factory restore submenu (number 6).

ADDRESS

Displays and changes the unit address setting. To view the address navigate to this menu. To change the address, highlight **ADDRESS** and press **ENTER**. Then use the **UP** and **DOWN** arrow keys to change the digits. After changing a digit, press **ENTER** to move to the next digit. To skip a digit, press **ENTER** while the cursor is blinking on that digit. Unit identification numbers must be between 0002 and 9999. See Figure 6-2 on page 48.

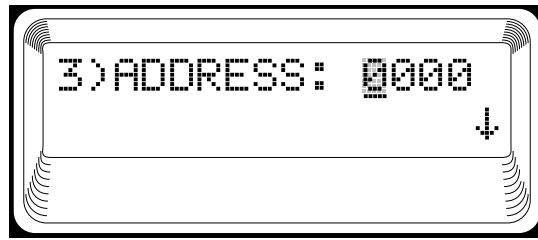


Figure 6-2. Address Screen

SET PASSCODE

The TSU LT uses passcodes for front panel security and T-Watch PRO access. Use **SET PASSCODE** to add, change, or delete a passcode. Acceptable codes are 0000 through 9999. Four question marks (????) indicate the keypad is locked.

To alter the passcode, highlight **PASSCODE** and press **ENTER**. Then use the **UP** and **DOWN** arrow keys to change the digits. After changing a digit, press **ENTER** to move to the next digit. To skip a digit, press **ENTER** while the cursor is blinking on that digit.


KEYPAD

Allows the user to lock or unlock the front panel keypad. This feature keeps the unit configuration from being changed by unauthorized personnel. When the keypad is **LOCKED**, option settings can be viewed but not changed (unless the passcode is entered). When the keypad is **UNLOCKED**, the menus can be changed at will. If an incorrect passcode is entered, the unit remains locked.

FACT RESTORE

Use the **FACTORY RESTORE** submenu to restore the factory default setting for all unit parameters.

The **TEST** submenus initiate different types of unit tests and let you view test results in the LCD window (see Figure 7-1). This menu contains three branches: **NETWORK TEST**, **RUN SELFTEST**, and **PORT TESTS**.

 *Test execution will disrupt some of the unit's normal operation. See individual menu items concerning tests before executing.*

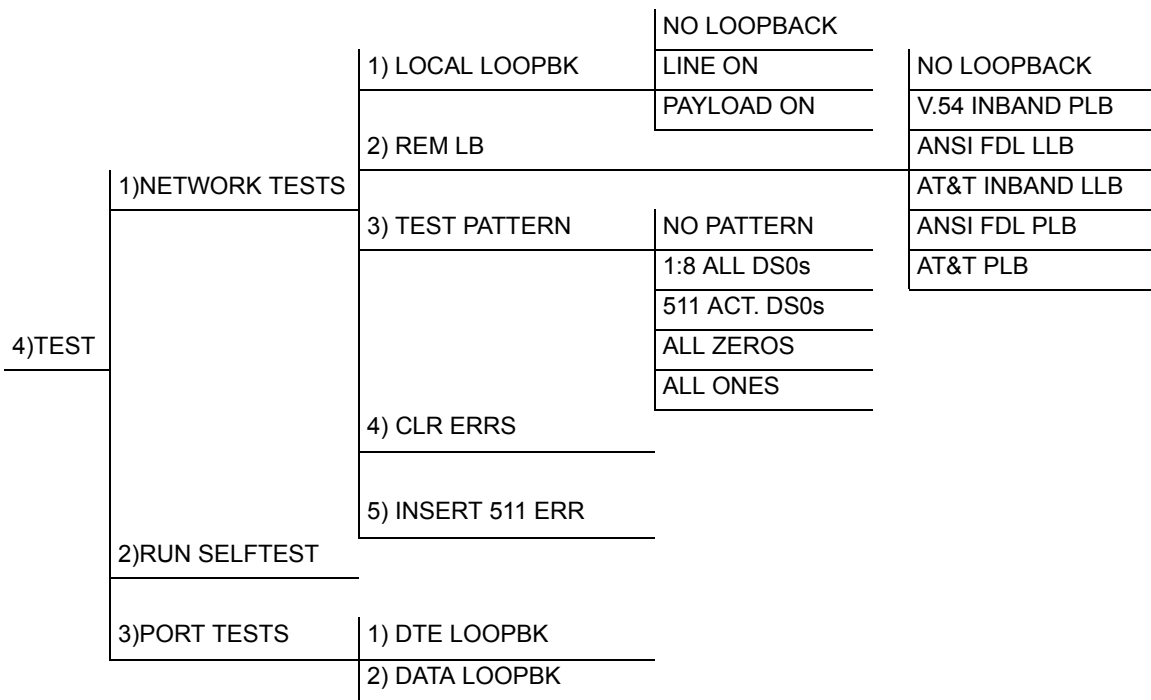


Figure 7-1. Test Menu Tree

NETWORK TESTS

Network tests control the activation of loopbacks and the initiation of data test patterns. They run on the network interface (NI). Options include **1) LOCAL LOOPBK**, **2) REM LB**, **3) TEST PATTERN**, **4) CLR ERRS**, and **5) INSERT 511 ERR**.

Local Loopback

The three choices available for setting the local loopback include **NO LOOPBACK**, **LINE ON**, and

PAYLOAD ON. Figure 7-2 shows an illustration of how the tests work.

- No Loopback** Deactivates the loopback.
- Line On** Activates the line loopback which loops all of the received data back toward the network. The transmitted data is the identical line code that was received, including any bipolar violations or framing errors.
- Payload On** Activates the payload loopback which is similar to line loopback, except that the framing is extracted from the received data and then regenerated for the transmitted data.

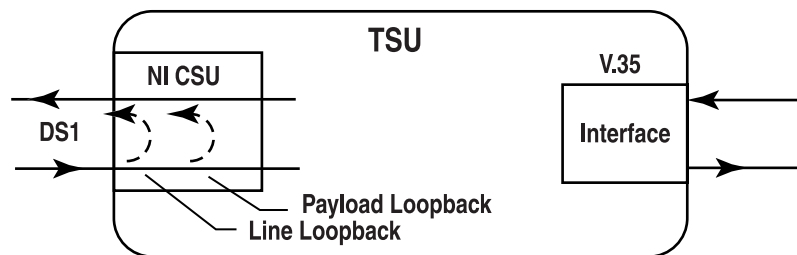


Figure 7-2. Network Loopback Tests

Remote Loopback

Activates loopback tests at the far end.

- No Loopback** Deactivates the loopback.
- V.54 Inband PLB** Indicates inband transmission of V.54 loop-up pattern in channels occupied by DTE data only. This choice should be used for public fractional network.
- ANSI FDL LLB** Per ANSI T1.403, initiates the transmission of a Facility Data Link (FDL) line loop-up code toward the far end using the following 2-byte bit patterns: 00001110 11111111.
- AT&T Inband LLB** Per AT&T 62411, activates the line loopback using inband code.
- ANSI FDL PLB** Per ANSI T1.403, activates the payload loopback (PLB) on the FDL using the following 2-byte bit patterns: 00010100 11111111.
- AT&T FDL PLB** Per AT&T TR54016, initiates the transmission of the PLB on the FDL using a request message.



Only V.54 loopbacks can be used with fractional T1 since the full T1 stream including the FDL is not transported to the far end (unless it is a private network).

Facility Data Link (FDL) specifically relates to ESF.

Test Pattern

Selects the test pattern and initiates the transmission of the pattern. There are five patterns available (see below). End testing by selecting **NO PATTERN**.

- | | |
|------------------------|--|
| 1:8 ALL DS0s | Generates a 1 in 8 pattern in all DS0s. |
| 511 Active DS0s | Generates a 511 test pattern and inserts the pattern into currently active channels. |
| All Zeros | Generates an all zero's pattern in every channel. |
| All Ones | Generates an all one's pattern in every channel. |

CLR Errors

CLR ERRORS has two functions. First, it clears out the 511 error total when you press **ENTER**. Second, it displays a total of the 511 errors; that is, if 511 errors are being received, the display updates accordingly. This function is useful in testing end-to-end integrity of the network. To do this, first, loop up the far end TSU LT, and send a 511 pattern from the local TSU LT. Then, view the **CLR ERRORS** screen to determine if the link is functioning properly by verifying that no errors are being counted.

Insert 511 Errors

When running a 511 pattern test, press the **ENTER** key to insert an error into the 511 pattern.

RUN SELF-TEST

Use this menu to execute an internal self-test. This is the same self-test that is automatically performed at power-up. After displaying **INITIALIZING**, the LCD shows the results (including failures) of the self-test (see Figure 7-3).

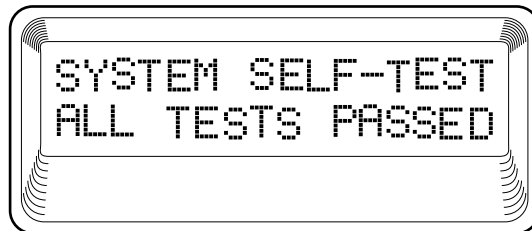


Figure 7-3. Self Test Results Screen

The self-test includes the following board-level tests, in this order:

1. RAM tests; EPROM checksum
2. On-board data path; sending a known test pattern through an on-board loop
3. Front panel LED verification
4. Phase lock loop verification. If a failure is detected, note the failure number and contact ADTRAN Technical Support.



Executing self-test disrupts normal data flow and prevents remote communication until the self-test is completed (approximately five seconds).

PORT TESTS

These two tests (**DTE LOOPBACK** and **DATA LOOPBACK**) control the activation of a DTE loopback and a data loopback (see Figure 7-4). The **DTE LOOPBK** loops data received at the V.35 interface back towards the DTE. The **DATA LOOPBACK** test the data is looped back just before going out the V.35 interface.

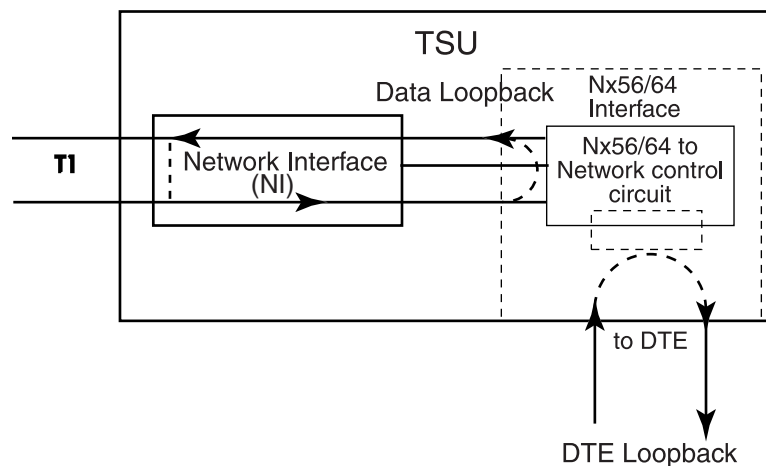


Figure 7-4. Port Loopback Tests

Before using the TSU LT to pass data, ADTRAN recommends running tests on the circuit. Testing consists of sending a test pattern from end-to-end and checking for errors in the pattern. There are two types of tests used to accomplish this:

1. Loop-up the far end and then send a test pattern.
2. Send a test pattern from both ends and check at both ends.

Far End Looped Back Test

TSU LTs should respond to a loop-up code sent over the T1 circuit. The remote unit will “loop” the network interface providing a path for data from the local unit over the circuit and back again. Sending a known test pattern over this loop and checking for errors verifies circuit connectivity. The following example loops the remote unit and sends a 511 pattern through the data path. Use the 511 test pattern with any T1 configuration (regardless of the channel configuration) because 511 is always sent in the occupied channels. Complete the steps outlined below to loop-up the remote TSU LT and send a test pattern.

Running the Test

1. Use the front panel up and down arrows to place the cursor on **4) TEST** and press **ENTER** to select.
Result: The first two **TEST** submenu items display.
2. Using the up and down arrows, place the cursor on **NETWORK TESTS**, and press **ENTER**.
Result: Beginning display of the submenu items. Each menu item can be selected with the up and down arrows.
3. Use the front panel up and down arrow keys to place the cursor on **REM LB:** and press **ENTER**.
4. Move to **V.54 INBAND PLB** and press **ENTER**.
5. Now, use the front panel down arrow key to select **3) TEST PATTERN**.
6. Press **ENTER** again to activate the **TEST PATTERN** submenu, and select **511 ACT DS0s**.
7. Press **ENTER** to activate the selection.

Result: The TSU LT always checks for 511 errors. The results of this check are shown under submenu item 4.

Ending the Test

When you have finished viewing the results, complete the following steps to return the TSU LT to normal operation:

1. Press **CANCEL** to return to submenu item **TEST PATTERN**.
2. Select **NO PATTERN** to terminate the test and the 511 pattern generation.

Result: The far end remains in loopback until the network **REMOTE LOOPBK** is set to **NO LOOPBACK** under submenu item **REMOTE LOOPBK**.

Appendix A TSU LT Menu Tree

Figures A-1 and A-2 show the complete menu tree for the TSU LT.

1)STATUS	1)NI PERF RPTS		RESET PERF CNTRS
		LOSS OF SIGNAL	SES
		AIS ALARM	ES
		OUT OF FRAME	%AV
	2)CURR ERR/ALM	YEL ALARM	%EF
		CLEAR HISTORY	CVs
		LOSS OF SIGNAL	
		AIS ALARM	
		OUT OF FRAME	
		YELLOW ALARM	
2)CONFIG	3)ERR ALM HIST	RED ALARM	1)FORMAT
		CODE VIOLATIONS	2)CODE
		BIPOLAR VIOL	3)YEL ALRM
		FRAME BIT ERRORS	4)XMIT PRM
		PLL ALARM	5)CLOCK SOURCE
	1)NETWORK (NI)		6)SET LBO
		POSITION	
	2)UNIT	1)CNTRL PORT	
		MODEM INIT	
		DATA RATE	
	TRAPS	1)RATE 56/64	
	2)ALARMS	2)CHANNELS	
	OUTPUT	3)DTE TX CLOCK	
	TEL NUM	4)START CHAN	
		5)# OF CHAN	
		6)DATA	
		7)CTS	
		8)DCD	
		9)DSR	
		10)INBAND	
	3)PORT		

Figure A-1. TSU LT Menu Tree (Status and Config)

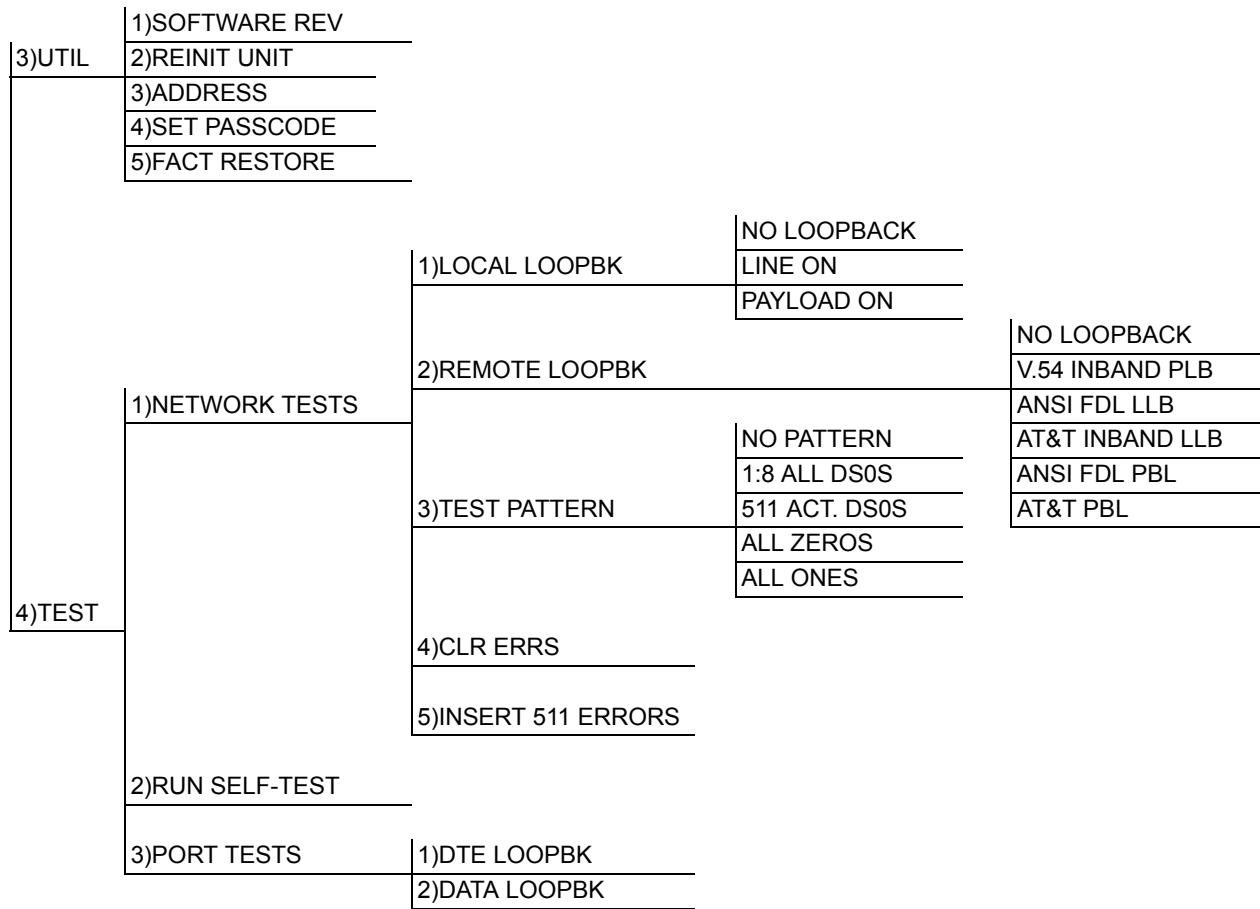


Figure A-2. TSU LT Menu Tree (Util and Test)

Appendix B DTE Data Rate Chart

The DTE data rate chart is shown in Table B-1.

Table B-1. DTE Data Rate Chart

# OF DS0s (N)	DTE RATE=56K	DTE RATE=64K
N=1	56K	64K
N=2	112K	128K
N=3	168K	192K
N=4	224K	256K
N=5	280K	320K
N=6	336K	384K
N=7	392K	448K
N=8	448K	512K
N=9	504K	576K
N=10	560K	640K
N=11	616K	704K
N=12	672K	768K
N=13	728K	832K
N=14	784K	896K
N=15	840K	960K
N=16	896K	1024K
N=17	952K	1088K
N=18	1008K	1152K
N=19	1064K	1216K
N=20	1120K	1280K
N=21	1176K	1344K
N=22	1232K	1408K
N=23	1288K	1472K
N=24	1344K	1536K

Appendix C Pinouts

NETWORK (USOC RJ-48C)

On the rear panel, the TSU LT has an eight-position modular jack labeled **NETWORK**. This connector is used for connecting to the T1 network. See Table C-1 for the network connector pin assignments.

Table C-1. Network Pin Assignments

Pin	Name	Description
1	R1 RXDATA	Receive data from the network - Ring
2	T1 RXDATA	Receive data from the network - Tip
3	UNUSED	—
4	R TXDATA	Send data towards the network - Ring
5	T TXDATA	Send data towards the network - Tip
6, 7, 8	UNUSED	—

CONTROL CHAIN IN (RJ-48)

Use the Chain In connector as an EIA-232 port for connection to a computer or modem. See Table C-2 for the pin assignment for this connector.

Table C-2. Chain In Pin Assignments

Pin	Name	Description
1	GND	Ground connected to unit chassis.
2	UNUSED	—
3	RXDATA	Data received by the TSU.
4	UNUSED	—
5	TXDATA	Data transmitted by the TSU.
6	UNUSED	—
7	RI	Ring indicate from modem.
8	UNUSED	—

CONTROL CHAIN OUT (RJ-48)

Use the Chain Out port to connect to another TSU LT Chain In connector. Table C-3 shows the pinout for this connector.

Table C-3. Chain Out Pin Assignments

Pin	Name	Description
1	GND	Ground-connected to unit chassis. Connect to GND of next unit (pin 1).
2	UNUSED	—
3	TXDATA	Data transmitted to chained units by the TSU. Connect to RX DATA of the next unit (Chain In pin 3).
4	UNUSED	—
5	RXDATA	Data received from chained units by the TSU. Connect to TX DATA of the next unit (Chain In pin 3).
6, 7, 8	UNUSED	—

NX56K/64K DTE (V.35)

On the rear panel of P/N 1202060L2, the TSU LT has a V.35 interface for connecting DTE equipment. Table C-4 shows the pinout for this connector.

Table C-4. V.35 Pin Assignment

Pin	CCITT	Description
A	101	Protective ground (PG)
B	102	Signal ground (SG)
C	105	Request to send (RTS) from DTE
D	106	Clear to send (CTS) to DTE
E	107	Data set ready (DSR) to DTE
F	109	Received line signal detector (DCD) to DTE
H	—	Data terminal ready (DTR) from DTE
J	—	Ring indicator (RI)
L	—	Local loopback (LL)
N	—	Remote loopback (RL)
R	104	Received data (RD-A) to DTE
T	104	Received data (RD-B) to DTE
V	115	RX clock (RC-A) to DTE
X	115	RX clock (RC-B) to DTE
P	103	Transmitted data (TD-A) from DTE
S	103	Transmitted data (TD-B) from DTE
Y	114	TX clock (TC-A)
AA	114	TX clock (TC-B)
U	113	External TX clock (ETC-A) from DTE
W	113	External TX clock (ETC-B) from DTE
NN&K	—	Test mode (TM) to DTE

Index

Symbols

%AV 36

%EF 36

Numerics

511 active DS0s 51

511 errors 51

511 test pattern, activating 53

A

Address 30, 47, 48

AIS alarm 37

Alarms 43

Alarms and errors 37

All DS0s test pattern 51

All ones 51

All zeros 51

All-ones received at NI 37

ANSI FDL LLB 50

Arrows 28

AT&T inband LLB 50

AT&T PLB 50

B

Bipolar violations 37

Bit errors 37

BPVs in superframe format 37

Bridge/Router application 20

C

Chain port output 24

Chain-in pin assignments 59

Chain-out 60

Channels 44

circuit testing, example of 53

Clear errors 51

Clock source 40

Code 40

Code violations 37

Configuration menu 29, 39

Control port 24, 43

Control-in/chain-in 59

CRC errors 37

CTS 45

Current errors/alarms 29, 37

Customer Service, Product Support Information, and Training 10

CVs 36

Cyclic redundancy check errors 37

D

damages 21

Data 45

carrier detect 45

field 28

rate 43

rate chart 57

set ready 45

Data Fields 28

Data loopback test 52

DCD 45

Display field 28

DSR 45

DTE

data rate chart 57

timing 41

DTE loopback test 52

E

Error/Alarm

history 29

menu 36

ES (errored seconds) 36

Example menu operations 31

exiting menus 32

F

Factory defaults 30

Failure is detected 25

Far end looped back test 53

ending the test 54

running the test 53

FCC statement 5

Format 40

Front panel 28

I

Inband Remote Configuration, example 46

Inband submenu 45

Inserting 511 errors 51

Inspecting for damages 21

Internal timing 42

Introduction 19

Inverting of the DTE data 45

L

Line on local loopback 50

LLB 50

Local loopback menus

line on 50

no loopback 50

payload on 50

Loopback

activate 50

deactivate 50

local 49

remote 50

loopback tests

far end 53

Loss of signal 37

inactive/active 32

M

Menu tree 55

Modem INIT 43

N

Network 59

menu 39

NI 24, 30, 32, 39

pin assignments 59

tests 30, 49

timing 41

Network (NI) 29

Network interface 24

performance reports 29, 35

network interface test 53

Network loopback tests 50

NI PERF 29

No framing pattern sync at NI 37

No loopback 50

No pulses received at NI 37

Normal Mode Operation 46

Number ID for TSU LT w/V.35 23

Number of channels 45

Number of code violations 36

Number of errored seconds 36

Nx56/64

serial interface 24

Nx56K/64K DTE

V.35 61

O

Operation
 keys 28
Out of frame 37
Output 43

P

Payload on local loopback 50
Percentage of available seconds 36
Percentage of error free seconds 36
Pin assignments
 chain-in 59
 chain-out 60
 network 59
 primary V.35 61
Pinouts 59
PLL alarm 37
Port 29, 44
 test 30
Port tests 52
 Data loopback 52
 DTE Loopbk 52
Position of TSU LT 43
Power connection 21
Power up testing and initialization
24
Power-up or commanded self-test
25
Product Registration 10

R

Red alarm 37
Remote loopback 50
Remote loopback menus
 ANSI FDL LLB 50
 AT&T inband LLB 50
 AT&T PLB 50
 no loopback 50
 V.54 inband PLB 50
Restore factory defaults 30, 48
Run self-test 30
Running self-test 51

S

selecting main menus 31
selecting submenus 32
self-test, running 51
Serial interface 24
SES 36
Set base rate 44
Set data field 32
SET LBO 40
Set LBO 42
Set passcode 30, 48
Set pattern test 51
setting data fields 32
Severely errored seconds 36
Software
 revision 30
Start channel 45
Status 29, 35

T

Telephone number 44
terminating a remote loopback 54
Test menu 30, 49
test pattern
 activating 53
 terminating 54
Test patterns 51
 1:8 All DS0s 51
 511 Active DS0s 51
 All ones 51
 All zeros 51
Time/Date 30
Transmit (TX) data from the DTE
44
Traps 43

U

Unit 29
 submenu 42
Utility 30
 menu 47

V

V.35 pin assignments 61
V.54 inband PLB 50
viewing menus 32

X

XMIT alarm 40

Y

Yellow alarm 37, 40