



Dual U-BR1TE

Expansion and Plug-on Module for the TSU

Product Features

- Provides Basic Rate ISDN extension to remote locations
- Provides dedicated 2B1Q IDSL extension
- Dual BRI U Interfaces
- 2B+D BRI over T1 facilities in 3 DS0 format
- Customer or Switch Termination options
- Local and remote loopback capability
- Built-in test patterns for troubleshooting
- Utilizes proven ADTRAN U-BR1TE technology
- T-Watch PRO monitoring and control
- Easy configuration from front panel or VT100 Terminal
- Industry-leading five-year North American warranty

The ADTRAN® Dual U-BR1TE Module provides ISDN Basic Rate Interface (BRI) extension over existing T1 facilities. Utilizing the flexibility of the TSU™ family of T1 multiplexers, the Dual U-BR1TE module provides a switched BRI circuit to a remote site from an ISDN equipped central site location. The U-BR1TE module is compatible with the ANSI T1.601-1992 interface and provides 18,000 feet of additional distance beyond the TSU termination point. To support requirements for dedicated bandwidth, the U-BR1TE module can be used to deploy emerging 2B1Q-based services such as IDSL. For network service provider deployment, the module is fully compatible with central office D4 U-BR1TE circuits.

To aid in network troubleshooting and configuration, the Dual U-BR1TE Module responds to Embedded Operations Channel (EOC) loopbacks, initiates downstream loopbacks, and has built-in test patterns to support individual B channel testing. The local TSU or TDU can use the FDL channel on the T1 for setup and configuration for a remote U-BR1TE. For easy configuration, the module options are programmed using the front panel, a VT100 terminal interface or the optional T-Watch PRO™ software.

An example of a U-BR1TE application is a private network operator that needs to provide Basic Rate ISDN circuits to a remote office facility. The central site and the remote site share a point-to-point T1 circuit with most of the bandwidth in use by voice and data applications. The U-BR1TE module resides in the TSU multiplexer and facilitates the transmission of Basic Rate ISDN from the central site to the remote site. The TSU provides end user-friendly support for the addition of future services and the flexibility to add Basic Rate ISDN, Nx56/64 data and digital voice.

The TSU, TSU LT™, TSU ESP™, TSU 100e™, TSU 120e™, TSU 600e™, and TDU 120e™ are intelligent, full-featured T1 DSU/CSUs, designed to interface customer DTE to T1 or Fractional T1 services. The Dual U-BR1TE Module is one of many application-specific modules available for the TSU multiplexer family. The ability to combine different expansion modules with plug-on units provides a variety of interface port combinations for voice, data, dial backup and video applications.



ADTRAN, Inc.

Attn: Enterprise Networks
901 Explorer Boulevard
Huntsville, AL 35806

P.O. Box 140000
Huntsville, AL 35814-4000

256 963-8000 voice
256 963-8699 fax
256 963-8200 fax back

General Information
800 9ADTRAN
info@adtran.com
www.adtran.com

**Pre-Sales
Technical Support**

800 615-1176 toll-free
application.engineer@adtran.com
www.adtran.com/support

Where to Buy

877 280-8416 toll-free
channel.sales@adtran.com
www.adtran.com/where2buy

**Post-Sales
Technical Support**

888 423-8726
support@adtran.com
www.adtran.com/support

**ACES Installation &
Maintenance Service**

888 874-ACES
aces@adtran.com
www.adtran.com/support

International Inquiries

256 963 8000 voice
256 963-6300 fax
international@adtran.com
www.adtran.com/international

**For the regional office
nearest you, visit:**

www.adtran.com/where2buy



ADTRAN is an
ISO 9001: 2000 certified supplier.



ADTRAN is a
TL 9000 3.0 certified supplier.

61200107L1-8C May 2002
Copyright © 2004 ADTRAN, Inc.
All rights reserved.

Dual U-BR1TE

Expansion and Plug-on Module for the TSU

Product Specifications

ISDN BRI Network Interface

- **ISDN 2B1Q Interface:** ANSI T1.601-1992
- **BRI Line Rate:** 160 kbps, full duplex
- **BRI over T1:** TR-NWT-000397, 3 DS0s required for full 2B+D operation
- **Max Line Loss:** 42dB @ 40 kHz
- **Max Distance:** 18,000 ft. with 1300 Ohm resistance design
- **Termination Mode:** LT or NT
- **Physical Interface:** Dual modular 8-Pin RJ-45 per module
- **RJ-45 Pinout:** Pin 1,2,3,6,7,8 = NC, Pin 4 = Ring, Pin 5 = Tip

Diagnostics

- **Loopback Tests:** B1, B2, 2B+D
- **Loopback Specifications:** TR-NWT-000397, ANSI T1.601-1992
- **Performance Monitoring:** TR-TSY-000829
- **Built-In Test:** 2047 test pattern with built-in generator and monitor
- **Compliance:** FCC Part 15, FCC Part 68, UL

Physical

Module Size

- Standard TSU or TDU option slot format
- Expansion module accepts other plug-on modules
- Plug-on module works with any expansion module
- Both modules are hot swappable

Environment

Operating Temperature

- 0° to 50°C, (32° to 122°F)

Storage Temperature

- -20° to 70°C, (-4° to 158°F)

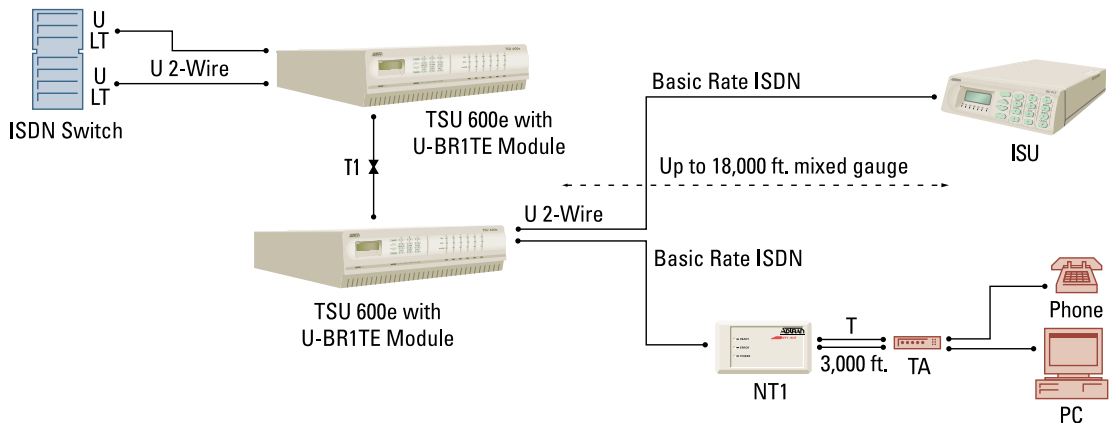
Relative Humidity

- Up to 95%, non-condensing

Ordering Information

Equipment	Part #
Dual U-BR1TE Expansion Module	1200107L1
Dual U-BR1TE Plug-on Module	1200108L1

ISDN Basic Rate Range Extension Over T1



Specifications subject to change without notice. T-Watch PRO, TSU, TSU LT, TSU ESP, TSU 100e, TSU 120e, TSU 600e, and TDU 120e are trademarks of ADTRAN, Inc. ADTRAN is a registered trademark of ADTRAN, Inc. All registered trademarks and trademarks mentioned in this publication are the property of their respective owners.